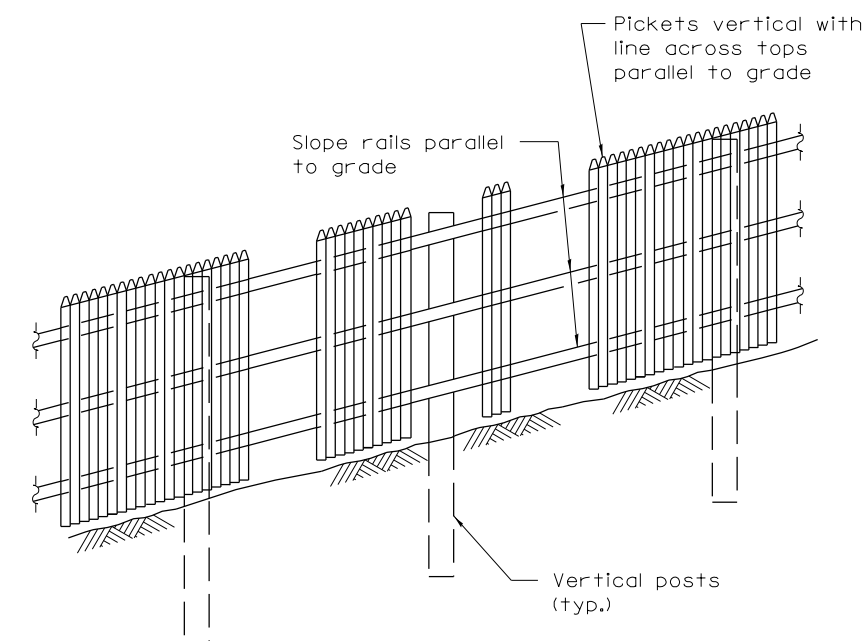
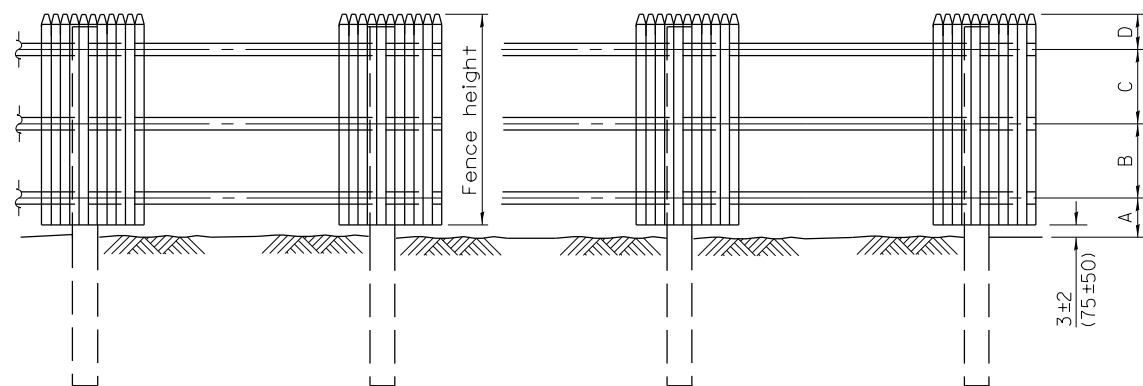


PLAN
(Facing highway)

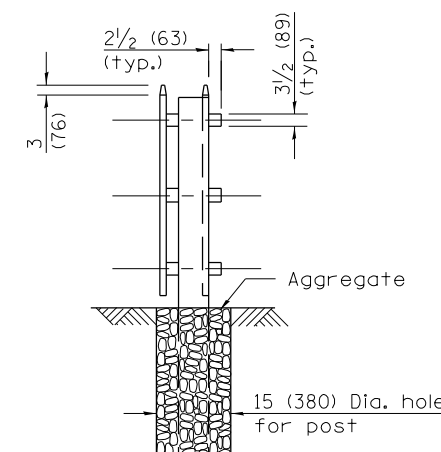
| Post Size (nominal dim.) | FENCE HEIGHT | |
|-----------------------------|-------------------|-------------------|
| | 6'-0" (1.8 m) | 8'-0" (2.4 m) |
| Post Length | 10'-0" (3.0 m) | 14'-0" (4.3 m) |
| Post Embedment | 4'-0" (1.2 m) | 6'-0" (1.8 m) |
| A | 15 (380) | 18 (460) |
| B | 24 (600) | 33 (870) |
| C | 24 (600) | 33 (870) |
| D | 12 (300) | 15 (380) |



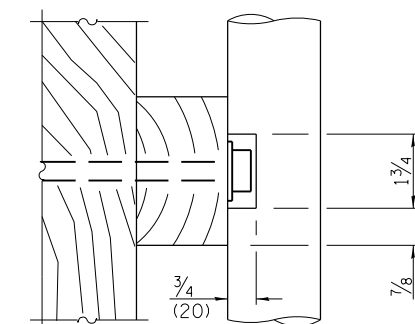
ELEVATION
(Showing treatment with sloping ground)



ELEVATION

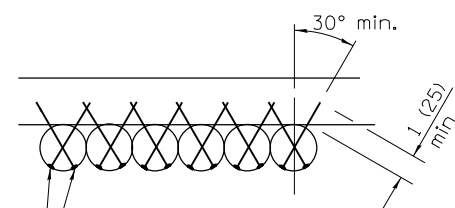


SEC. A-A



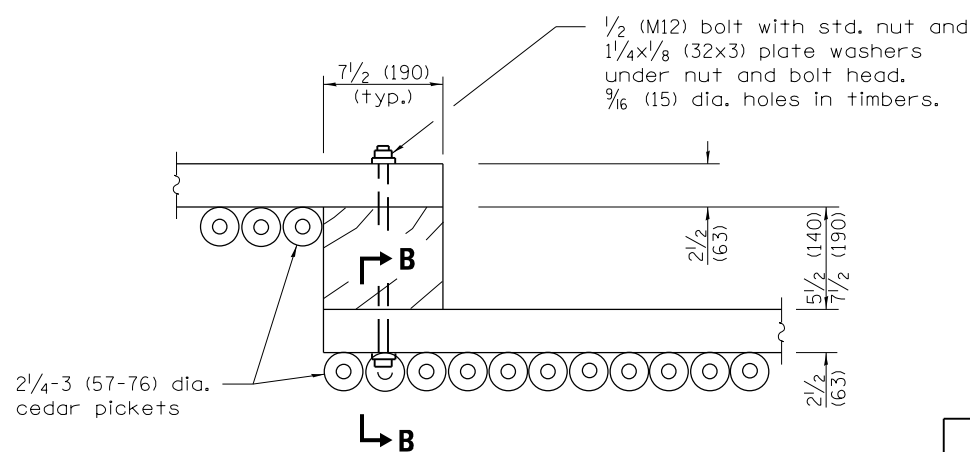
SECTION B-B

(Notch pickets when required to clear washer and bolt head.)



DETAIL A

(Showing typical picket to rail attachment)



DETAIL B

(Showing typical panel to post connection at each rail.)

GENERAL NOTES

Loading is based on 80 mph (130 km/h) with 30% gust factor. Minimum allowable soil pressure = 1.25 tsf (120 kPa).

All dimensions are in inches (millimeters) unless otherwise shown.

| DATE | REVISIONS |
|--------|---|
| 1-1-09 | Switched units to English (metric). Changed Sec. B-B to Detail B. |
| 1-1-97 | Renum. Standard 2367-3. |
| | Deleted DN Symbol. |

**SIGHT SCREEN
CEDAR STOCKADE FENCE
TYPE S**

STANDARD 641001-01

Illinois Department of Transportation

APPROVED January 1, 2009
Ralph E. Anderson
ENGINEER OF BRIDGES AND STRUCTURES

APPROVED January 1, 2009
Lee E. Han
ENGINEER OF DESIGN AND ENVIRONMENT

ISSUED 1-1-97