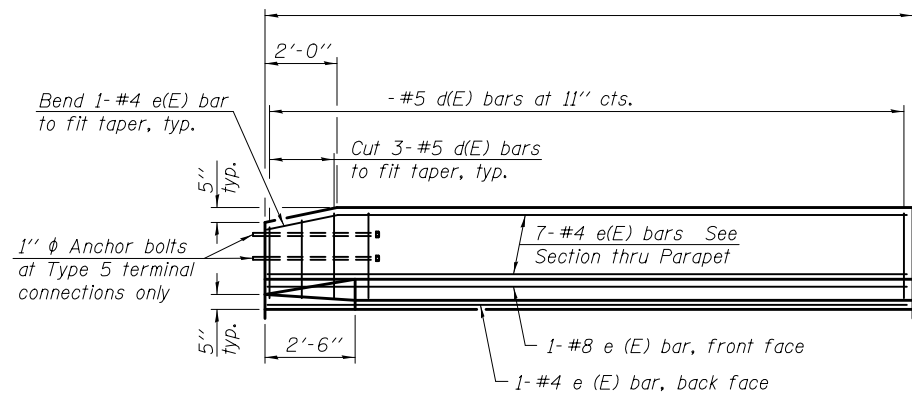
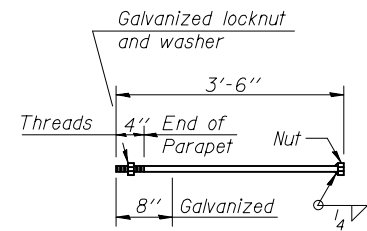


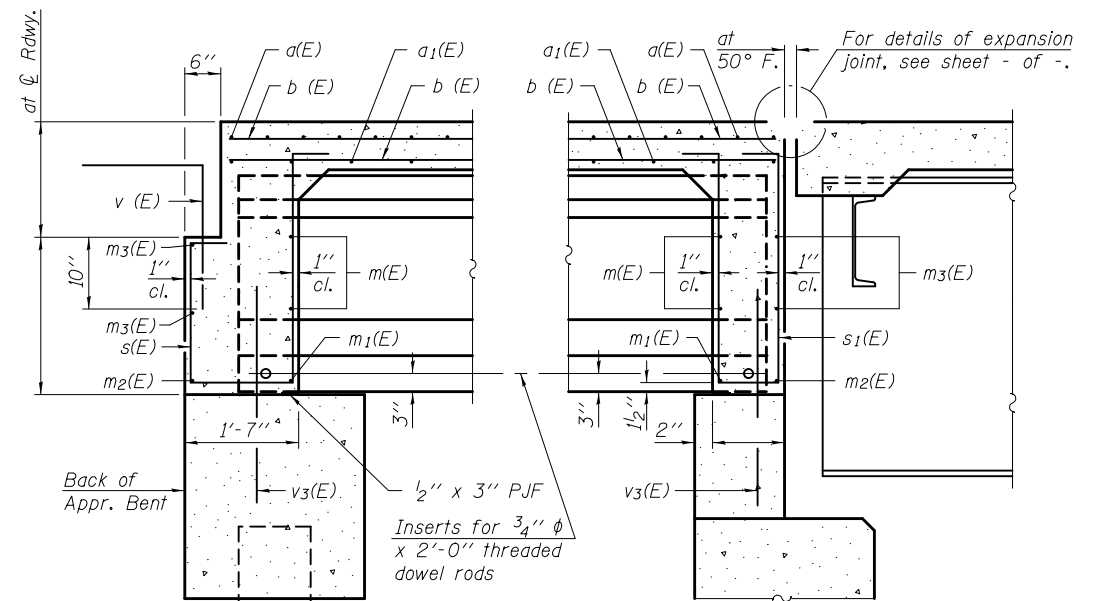
CELL / MODEL NAME	DESCRIPTION	DATE
SA-1-0	Approach span for vaulted abutments with PPC I beams no skew	11/22/2016
SA-1D-0	Approach span for vaulted abutments with PPC I beams no skew	11/22/2016
SA-1D-L	Approach span for vaulted abutments with PPC I beams ahead left	11/22/2016
SA-1D-R	Approach span for vaulted abutments with PPC I beams ahead right	11/22/2016
SA-1-L	Approach span for vaulted abutments with PPC I beams ahead left	11/22/2016
SA-1-R	Approach span for vaulted abutments with PPC I beams ahead right	11/22/2016
SA-2-0	Approach span for vaulted abutments (sand filled) no skew	11/22/2016
SA-2-L	Approach span for vaulted abutments (sand filled) ahead left	11/22/2016
SA-2-R	Approach span for vaulted abutments (sand filled) ahead right	11/22/2016



INSIDE ELEVATION OF PARAPET



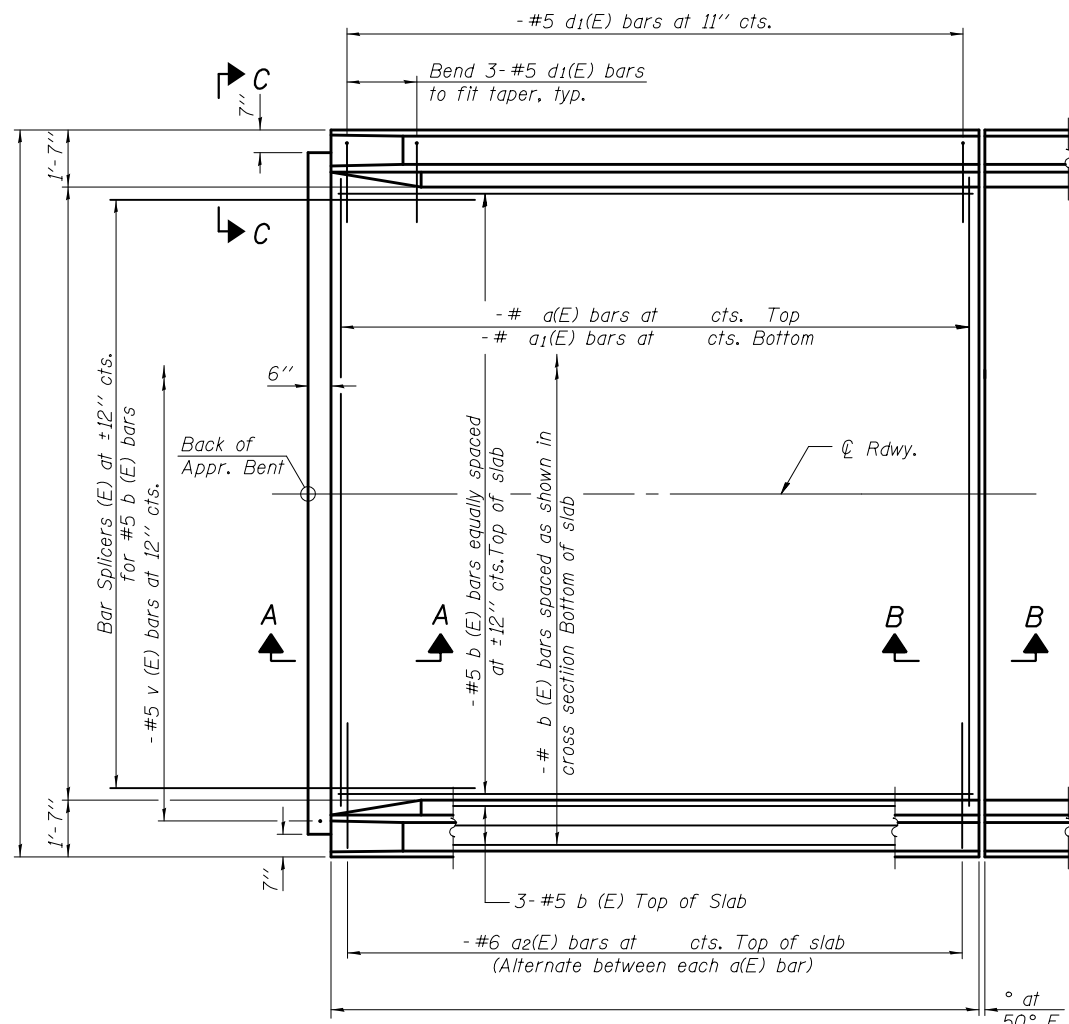
1" ANCHOR BOLT
(Cost included with Concrete Superstructure.)



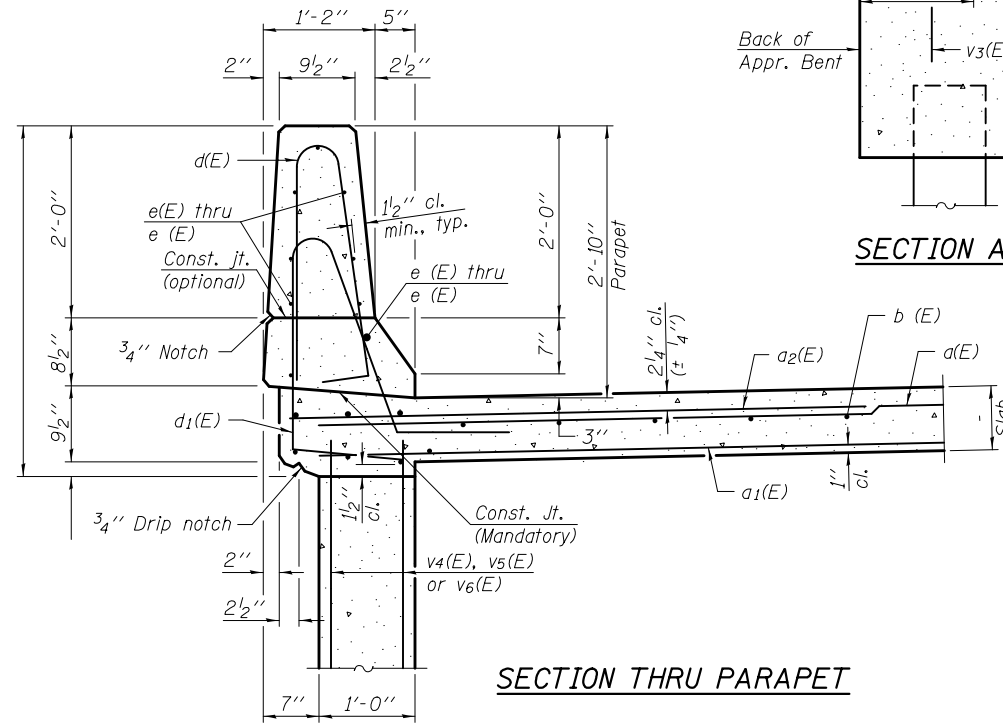
SECTION A-A

SECTION B-B

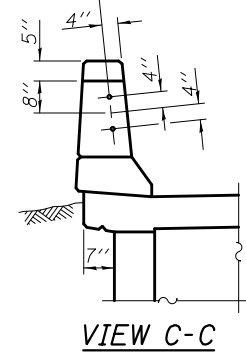
1" Anchor bolts
Type 5 terminal
connections only



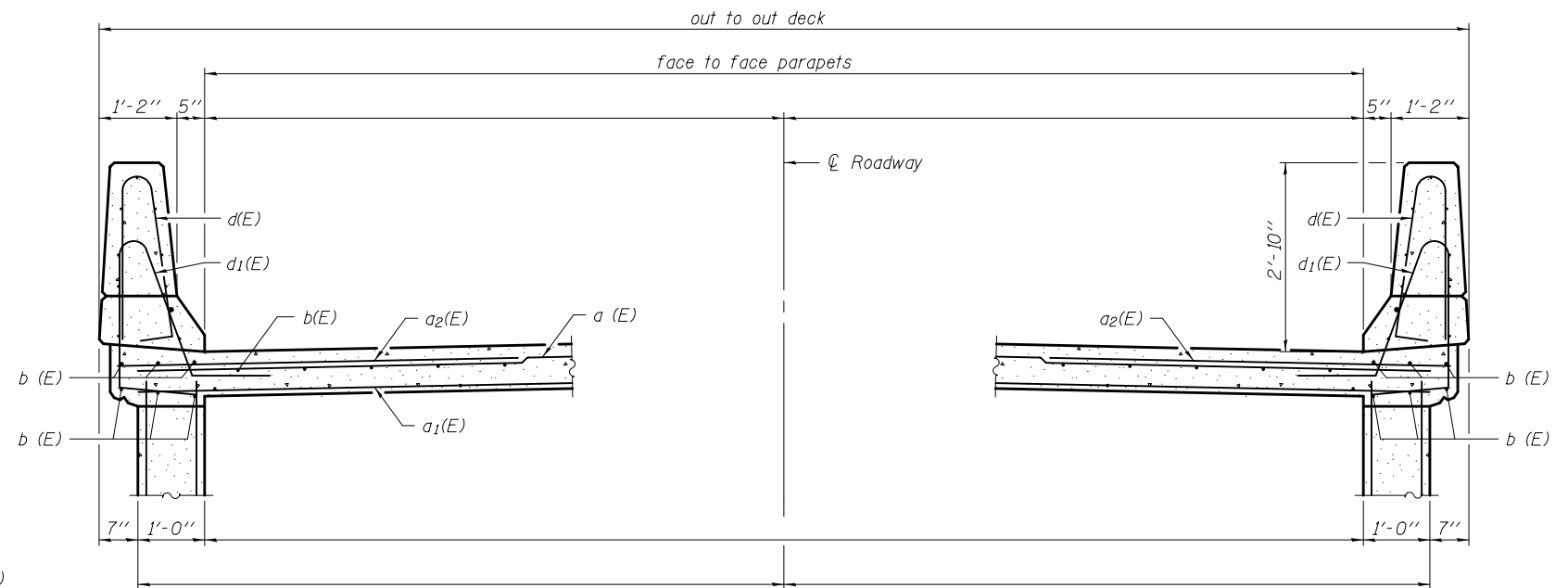
PLAN



SECTION THRU PARAPET



VIEW C-C



CROSS SECTION

Notes:
See sheets and of for v3(E)
thru v6(E) bars.

SA-1-0

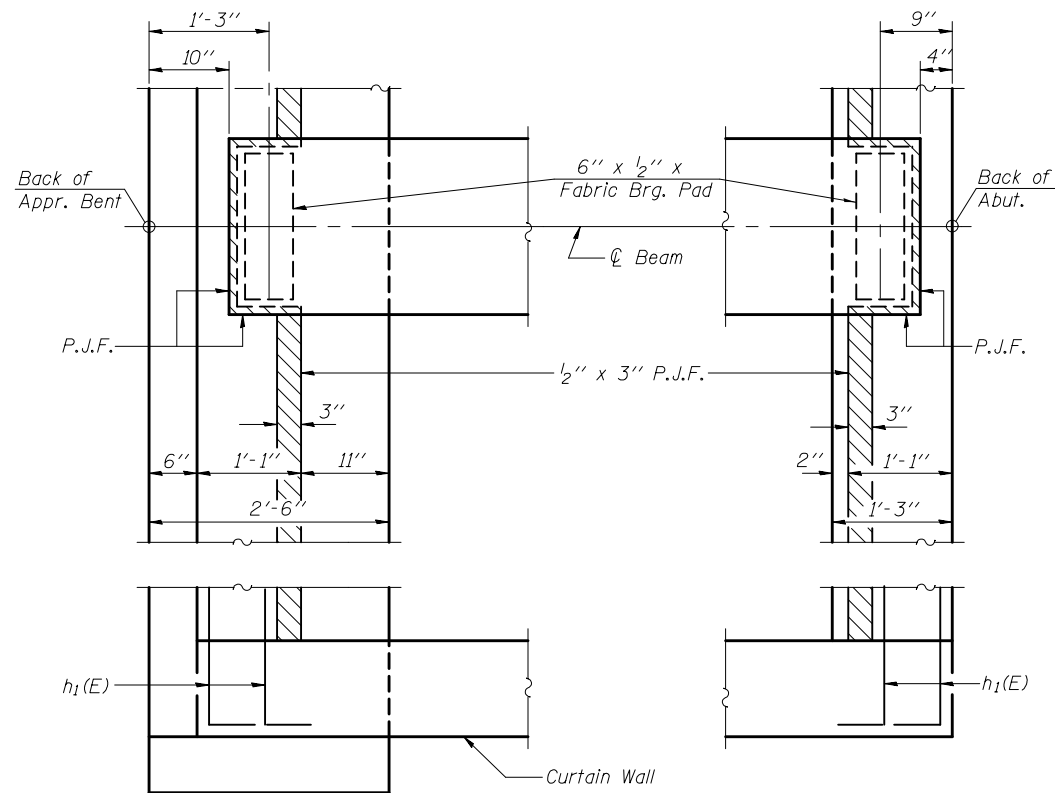
11-22-2016

FILE NAME =	USER NAME =	DESIGNED -	REVISIONS -
		CHECKED -	REVISIONS -
		DRAWN -	REVISIONS -
		CHECKED -	REVISIONS -

**STATE OF ILLINOIS
DEPARTMENT OF TRANSPORTATION**

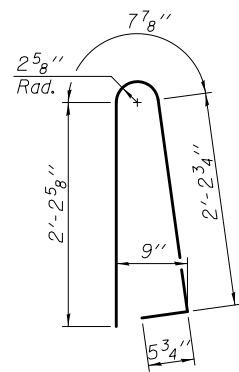
**VAULTED ABUTMENT APPROACH SPAN
STRUCTURE NO.**

F.A. RTE.	SECTION	COUNTY	TOTAL SHEETS	SHEET NO.
CONTRACT NO.				
ILLINOIS FED. AID PROJECT				

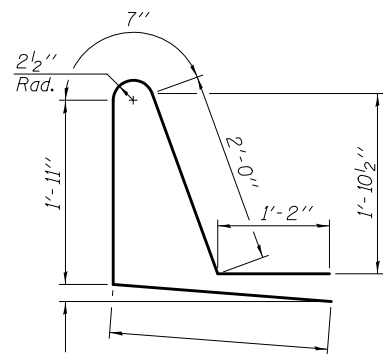


PARTIAL PLAN

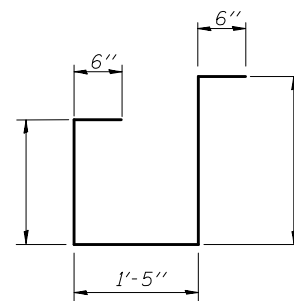
Notes:
See sheet and of for $h_1(E)$ and $v_3(E)$ bars.



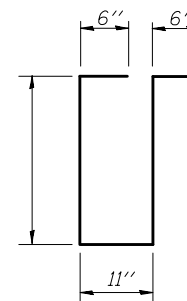
BAR d(E)



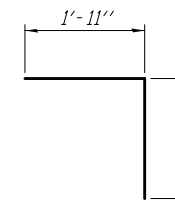
BAR d1(E)



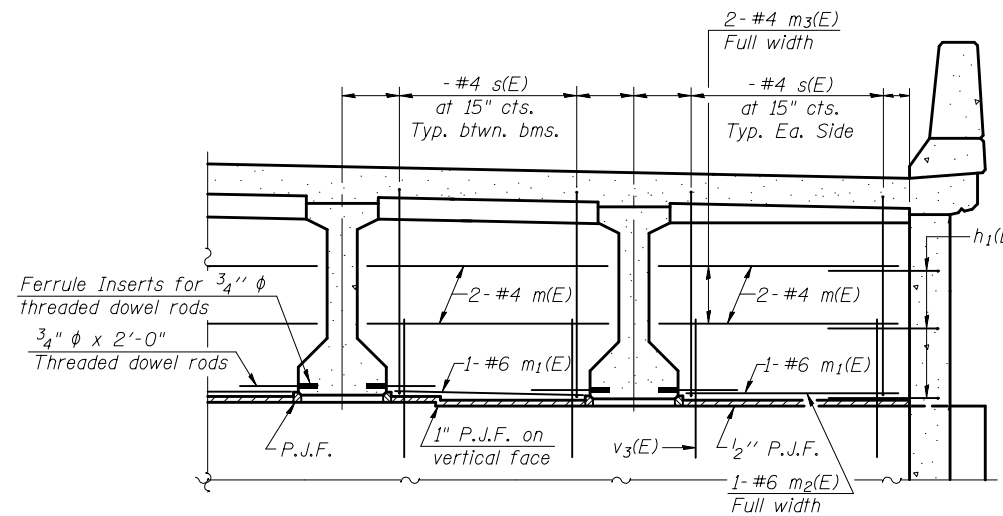
BAR s(E)



BAR s1(E)

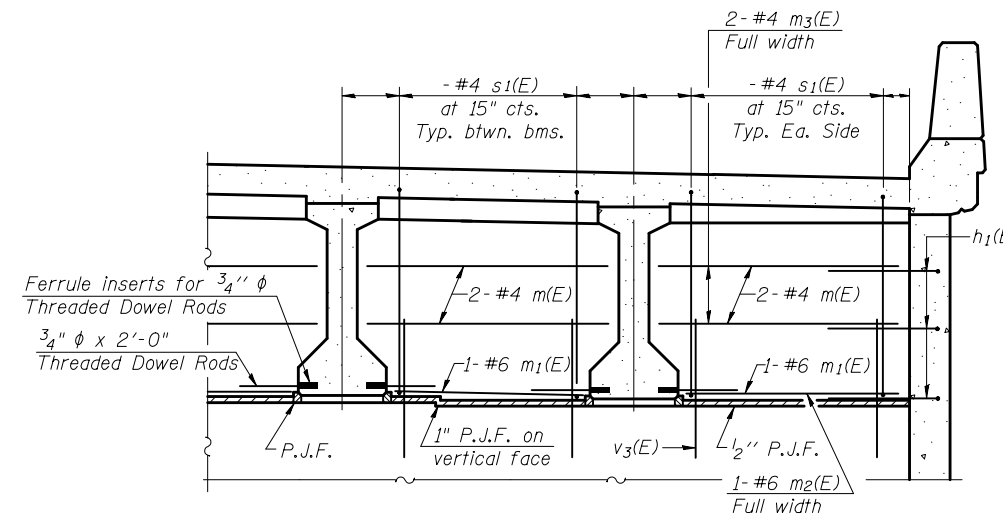


BAR v(E)



DIAPHRAGM AT APPROACH BENT

For location of $m(E)$, $m_1(E)$, $m_2(E)$, and $m_3(E)$ bars see Section B-B on sheet of .



DIAPHRAGM AT ABUTMENT

For location of $m(E)$, $m_1(E)$, $m_2(E)$, and $m_3(E)$ bars see Section A-A on sheet of .

**TWO APPROACH SLABS
BILL OF MATERIAL**

Bar	No.	Size	Length	Shape
a(E)				
a1(E)				
a2(E)		#6	6'-0"	
b(E)		#5		
b(E)				
d(E)		#5	5'-7"	
d1(E)		#5		
e(E)		#4		
e(E)				
e(E)				
m(E)		#4		
m1(E)		#6		
m2(E)		#6		
m3(E)		#4		
s(E)		#4		
s1(E)		#4		
v(E)		#5		
Reinforcement Bars, Epoxy Coated			Pound	
Concrete Superstructure			Cu. Yd.	

SA-1D-0

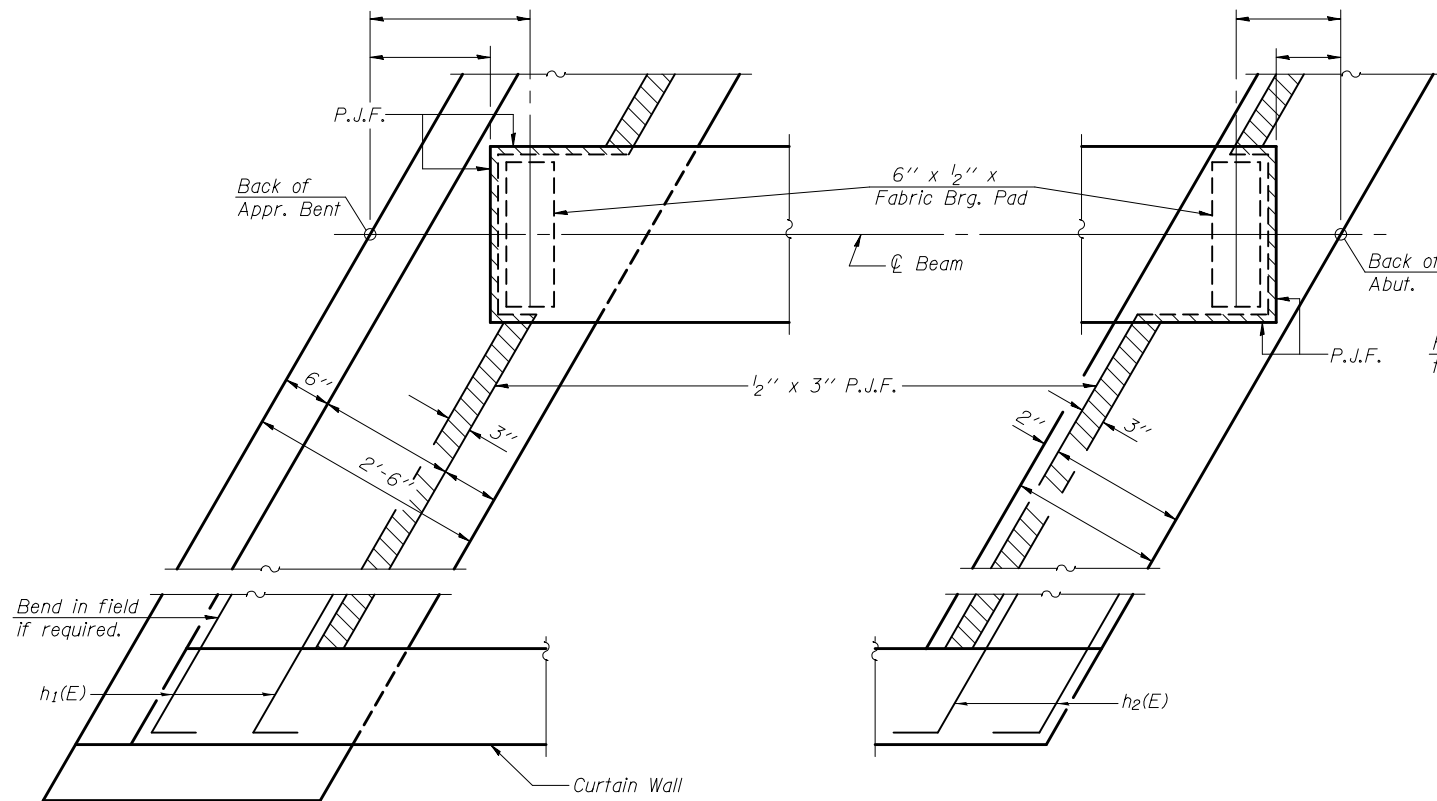
11-22-2016

FILE NAME =	USER NAME =	DESIGNED -	REVISED -
		CHECKED -	REVISED -
		DRAWN -	REVISED -
		CHECKED -	REVISED -

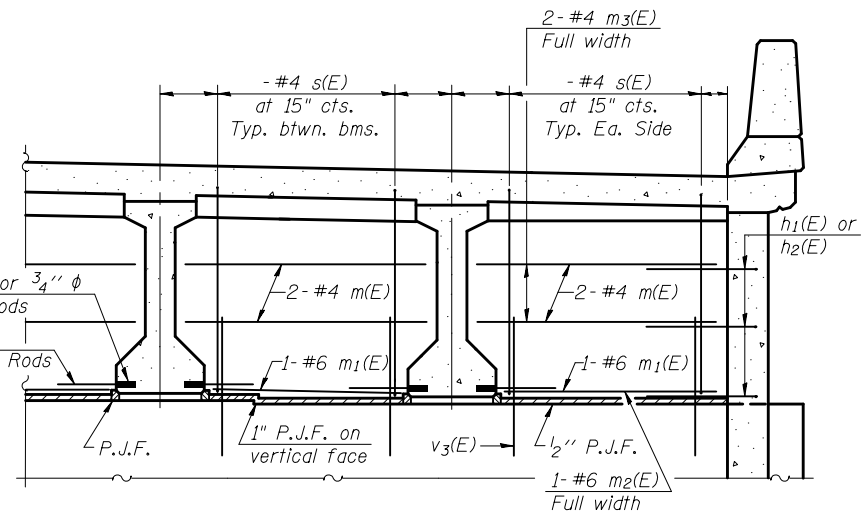
STATE OF ILLINOIS
DEPARTMENT OF TRANSPORTATION

VAULTED ABUTMENT APPROACH SPAN DETAILS
STRUCTURE NO.

F.A. RTE.	SECTION	COUNTY	TOTAL SHEETS	SHEET NO.
CONTRACT NO.				
ILLINOIS FED. AID PROJECT				

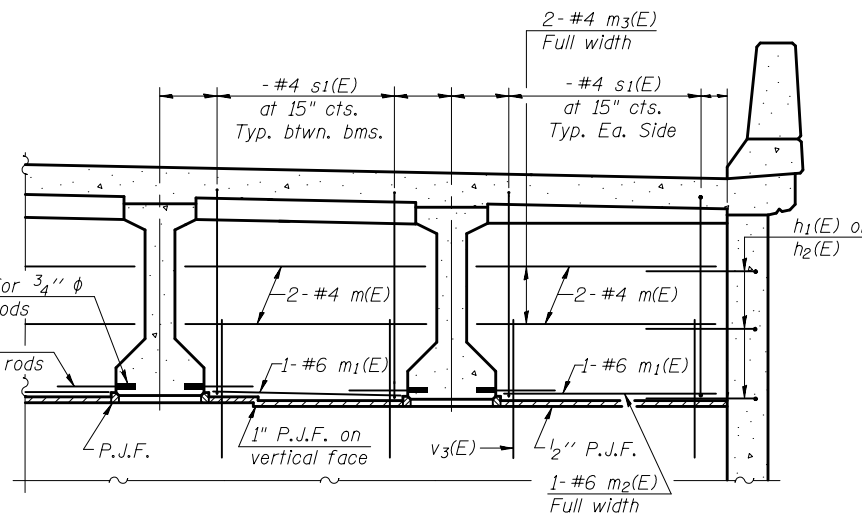


PARTIAL PLAN



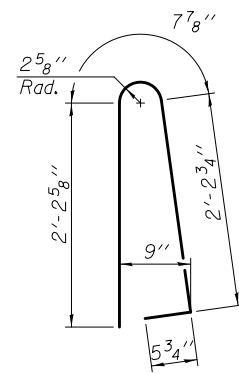
DIAPHRAGM AT APPROACH BENT

For location of m(E), m₁(E), m₂(E), and m₃(E) bars see Section B-B on sheet of .

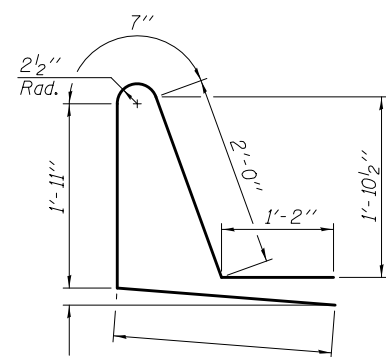


DIAPHRAGM AT ABUTMENT

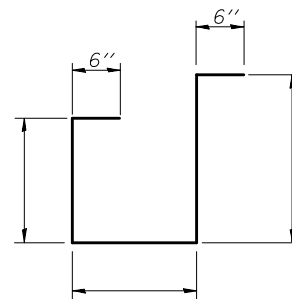
For location of m(E), m₁(E), m₂(E), and m₃(E) bars see Section A-A on sheet of .



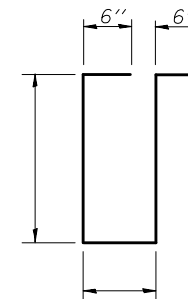
BAR d(E)



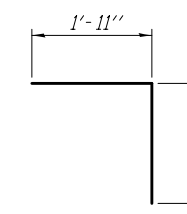
BAR d₁(E)



BAR s(E)



BAR s₁(E)



BAR v(E)

**TWO APPROACH SLABS
BILL OF MATERIAL**

Bar	No.	Size	Length	Shape
d(E)				
a ₁ (E)				
a ₂ (E)		#6	6'-0''	
a ₃ (E)				
b(E)		#5		
b(E)				
d(E)		#5	5'-7''	
d ₁ (E)		#5		
e(E)		#4		
e(E)				
e(E)				
m(E)		#4		
m ₁ (E)		#6		
m ₂ (E)		#6		
m ₃ (E)		#4		
s(E)		#4		
s ₁ (E)		#4		
v(E)		#5		
Reinforcement Bars, Epoxy Coated			Pound	
Concrete Superstructure			Cu. Yd.	

SA-1D-L

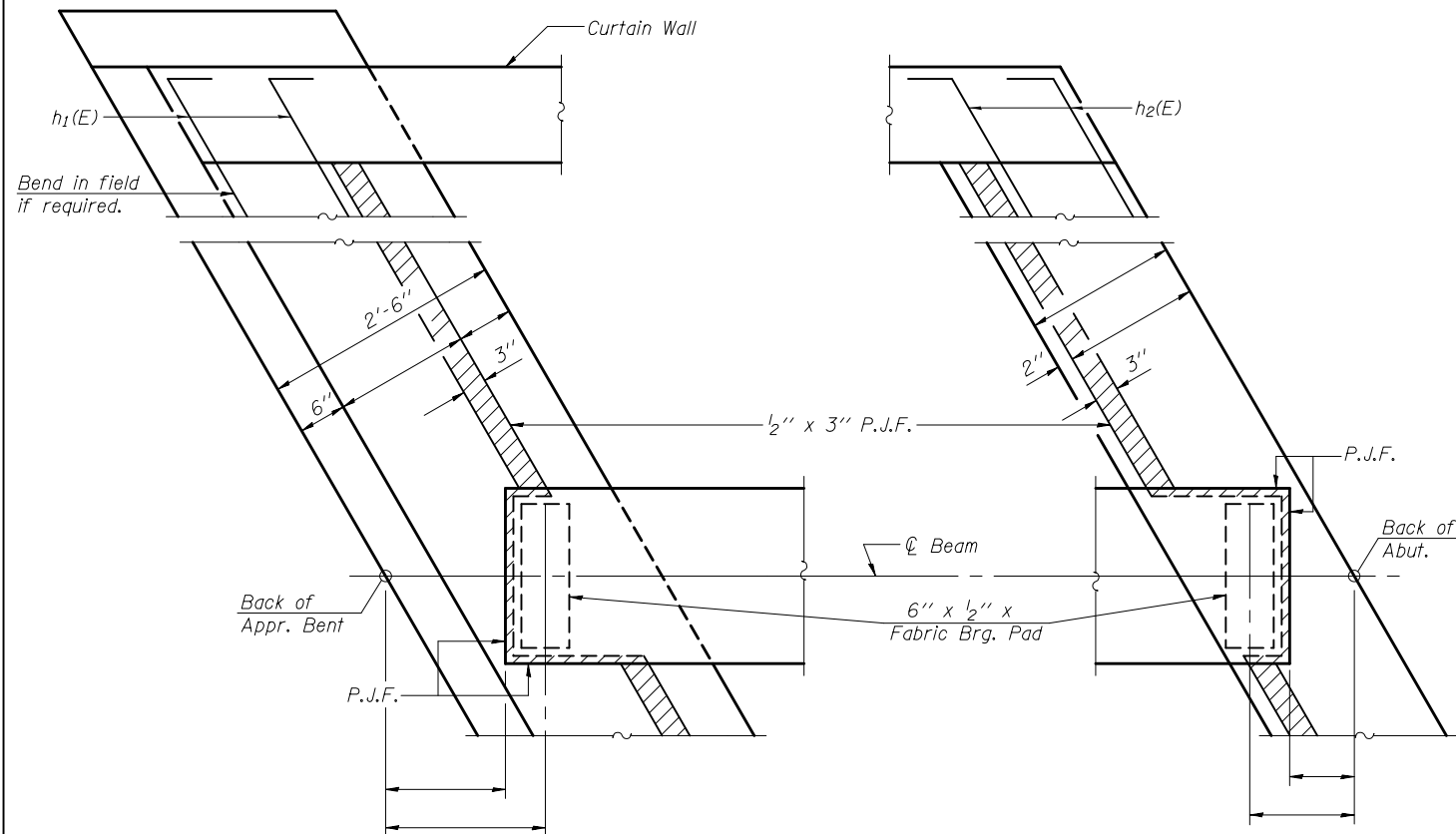
11-22-2016

FILE NAME =	USER NAME =	DESIGNED -	REVISED -
		CHECKED -	REVISED -
		DRAWN -	REVISED -
		CHECKED -	REVISED -

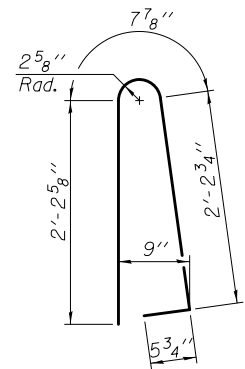
STATE OF ILLINOIS
DEPARTMENT OF TRANSPORTATION

VAULTED ABUTMENT APPROACH SPAN DETAILS
STRUCTURE NO.

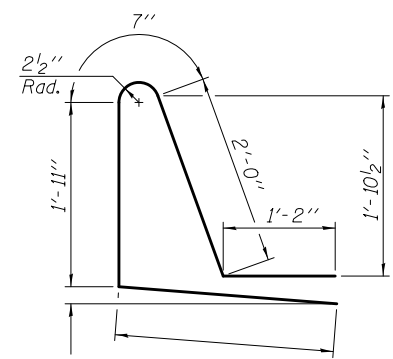
F.A. RTE.	SECTION	COUNTY	TOTAL SHEETS	SHEET NO.
CONTRACT NO.				
ILLINOIS FED. AID PROJECT				



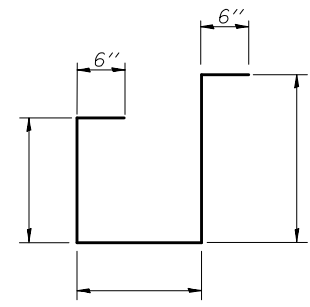
PARTIAL PLAN



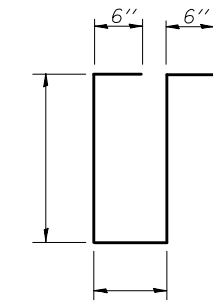
BAR d(E)



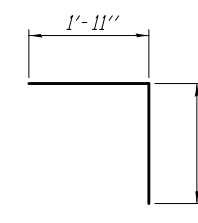
BAR d1(E)



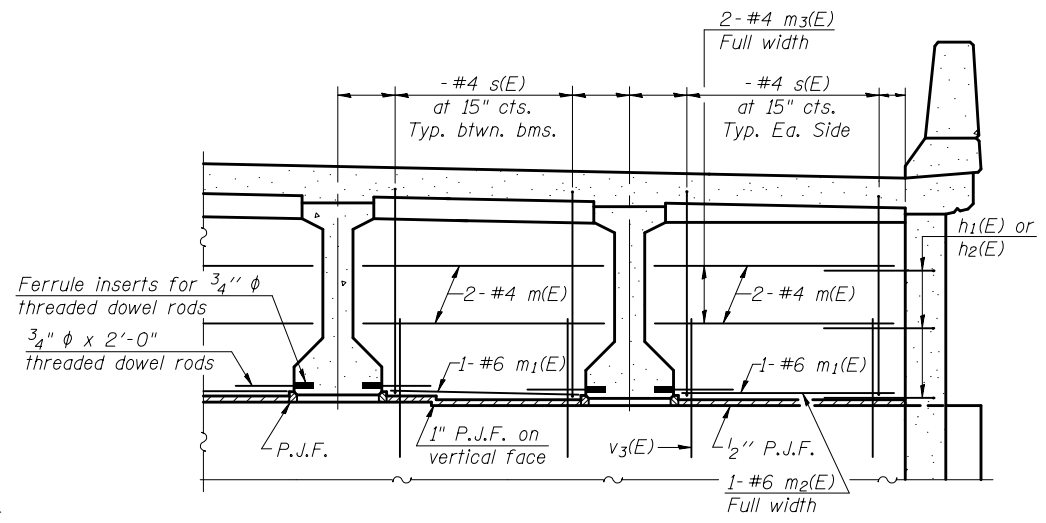
BAR s(E)



BAR s1(E)

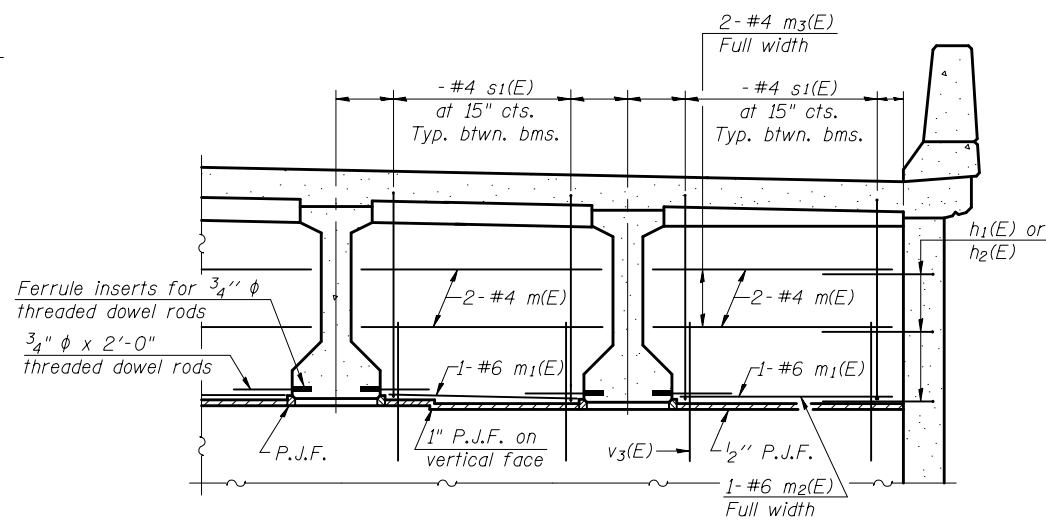


BAR v(E)



DIAPHRAGM AT APPROACH BENT

For location of m(E), m1(E), m2(E), and m3(E) bars see Section B-B on sheet of .



DIAPHRAGM AT ABUTMENT

For location of m(E), m1(E), m2(E), and m3(E) bars see Section A-A on sheet of .

**TWO APPROACH SLABS
BILL OF MATERIAL**

Bar	No.	Size	Length	Shape
a(E)				—
a1(E)				—
a2(E)		#6	6'-0"	—
a3(E)				—
b(E)		#5		—
b(E)				—
d(E)		#5	5'-7"	┌
d1(E)		#5		┌
e(E)		#4		—
e(E)				—
e(E)				—
m(E)		#4		—
m1(E)		#6		—
m2(E)		#6		—
m3(E)		#4		—
s(E)		#4		┌
s1(E)		#4		┌
v(E)		#5		┌
Reinforcement Bars, Epoxy Coated			Pound	
Concrete Superstructure			Cu. Yd.	

Notes:
See sheet and of for h1(E), h2(E) and v3(E) bars.

SA-1D-R

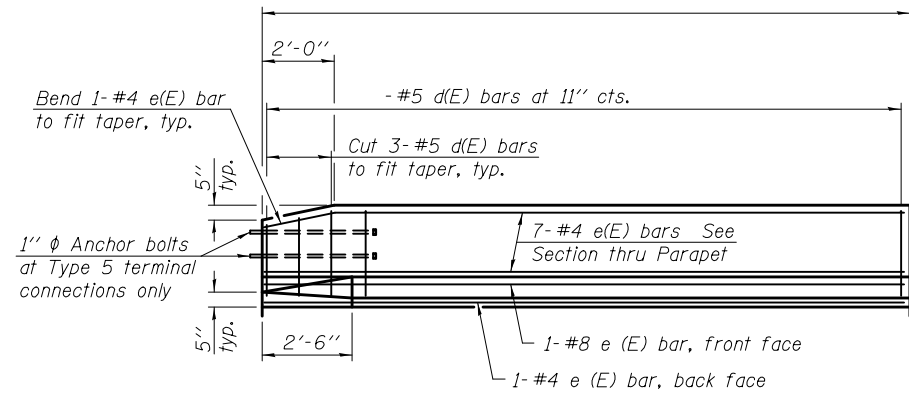
11-22-2016

FILE NAME =	USER NAME =	DESIGNED -	REVISED -
		CHECKED -	REVISED -
		DRAWN -	REVISED -
		CHECKED -	REVISED -

**STATE OF ILLINOIS
DEPARTMENT OF TRANSPORTATION**

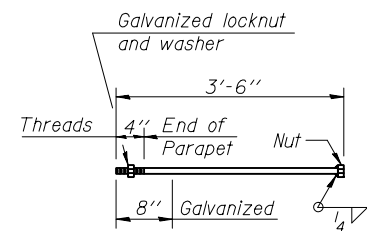
**VAULTED ABUTMENT APPROACH SPAN DETAILS
STRUCTURE NO.**

F.A. RTE.	SECTION	COUNTY	TOTAL SHEETS	SHEET NO.
CONTRACT NO.				
ILLINOIS FED. AID PROJECT				

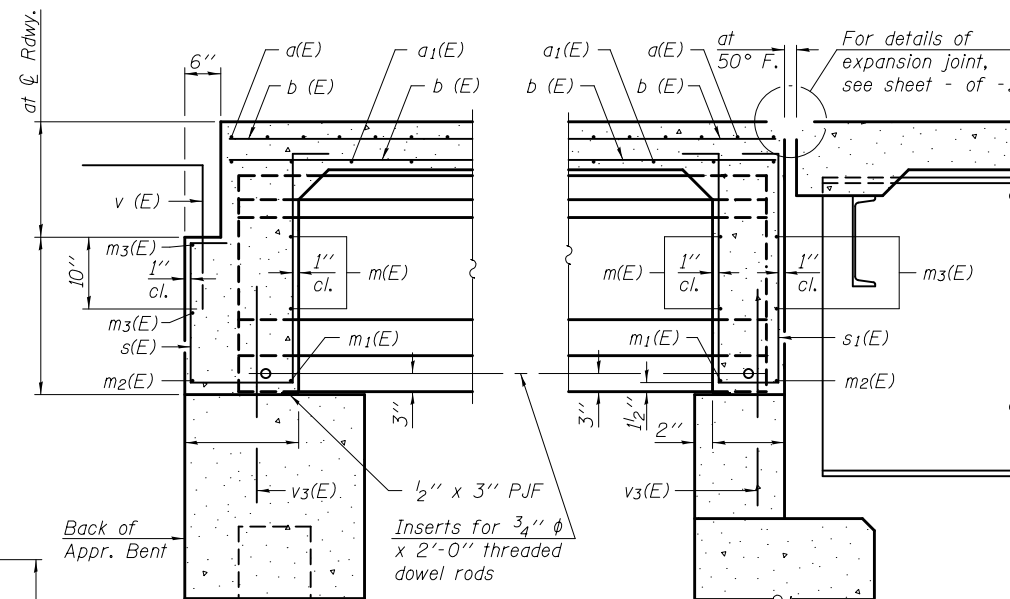


* Order a(E) and a₁(E) bars full length. Cut to fit skew and use remainder of bars in opposite end.

INSIDE ELEVATION OF PARAPET

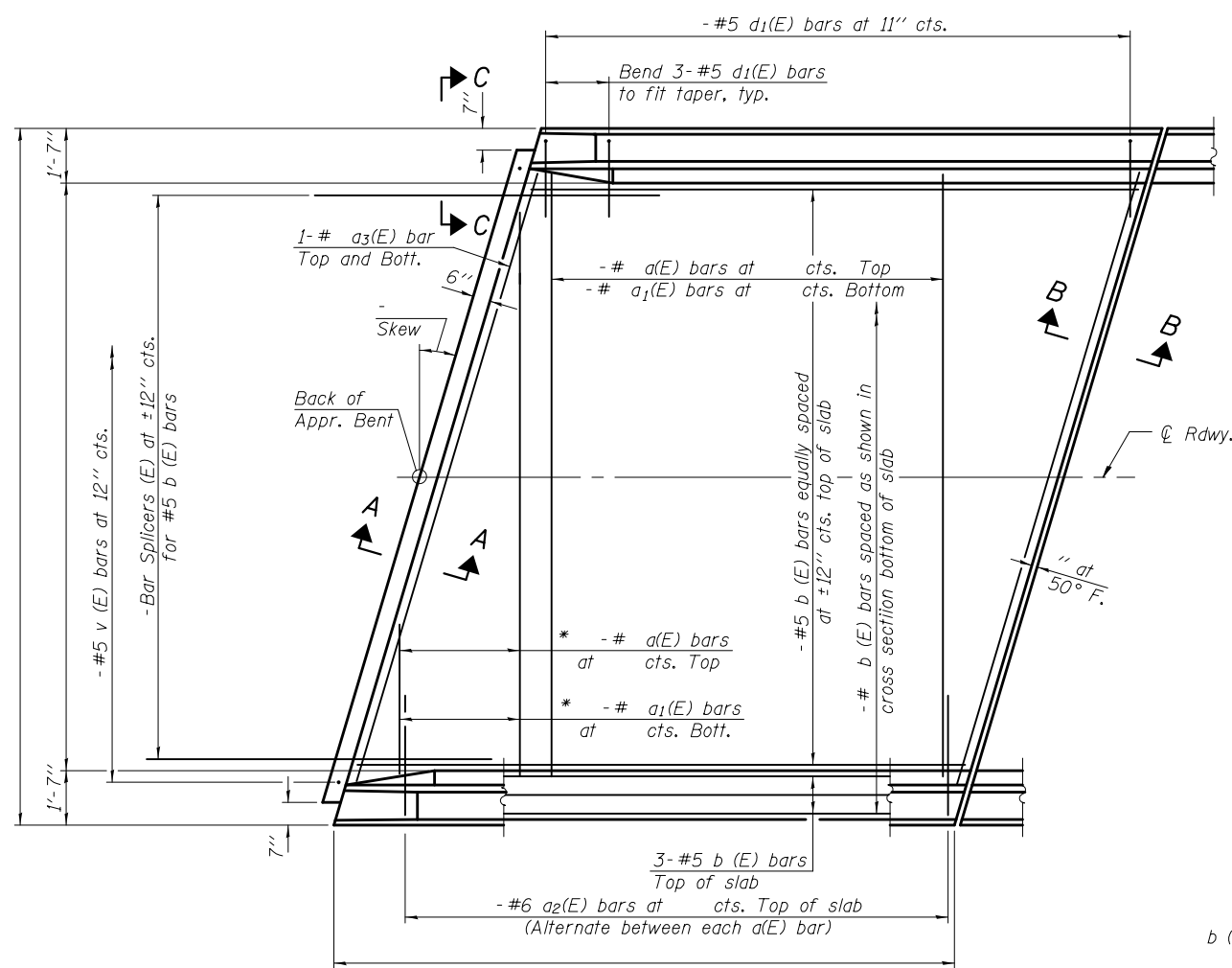


1" ϕ ANCHOR BOLT
(Cost included with Concrete Superstructure.)

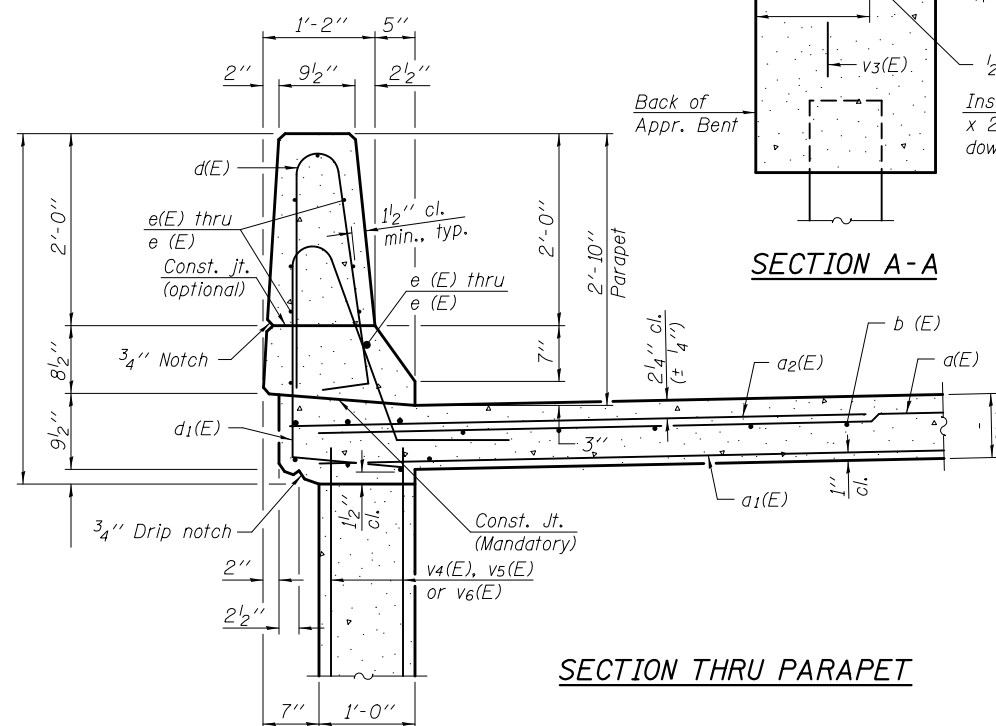


SECTION A-A

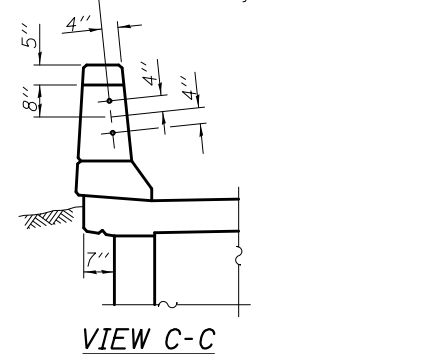
SECTION B-B



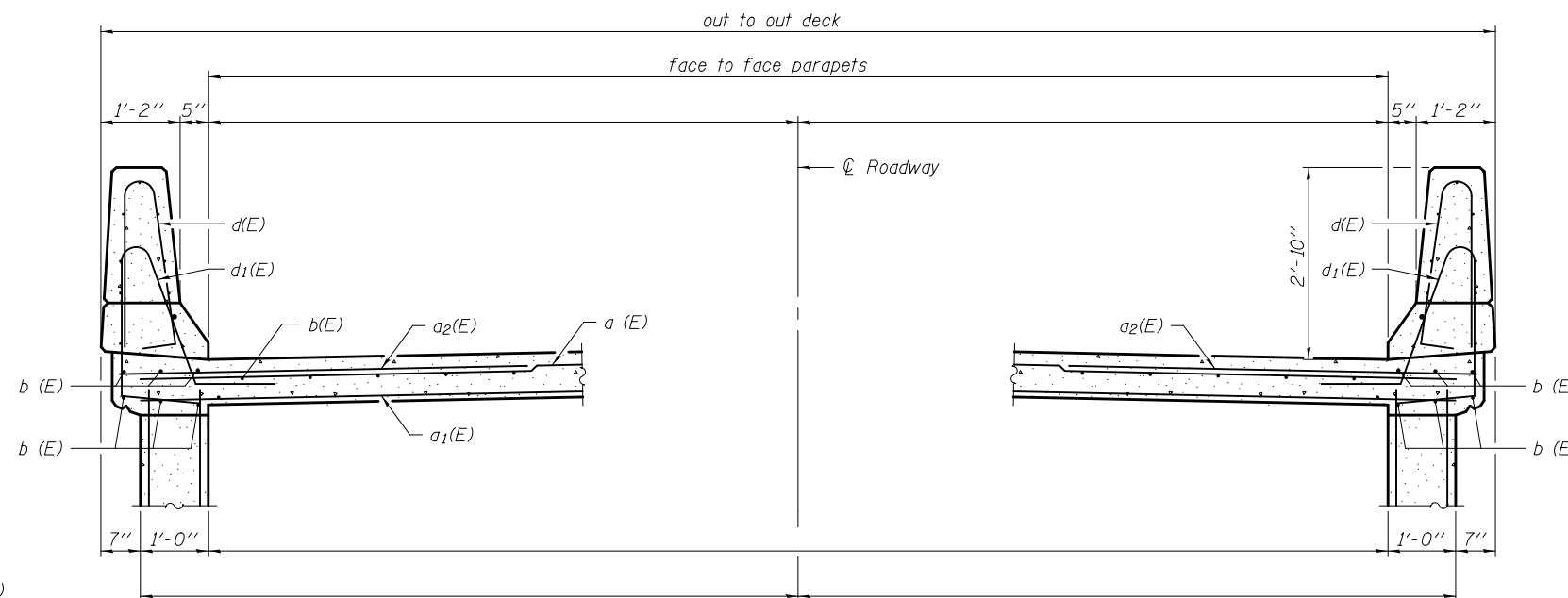
PLAN



SECTION THRU PARAPET



VIEW C-C



CROSS SECTION

Notes:
See sheets and of for v3(E) thru v6(E) bars.

SA-1-L

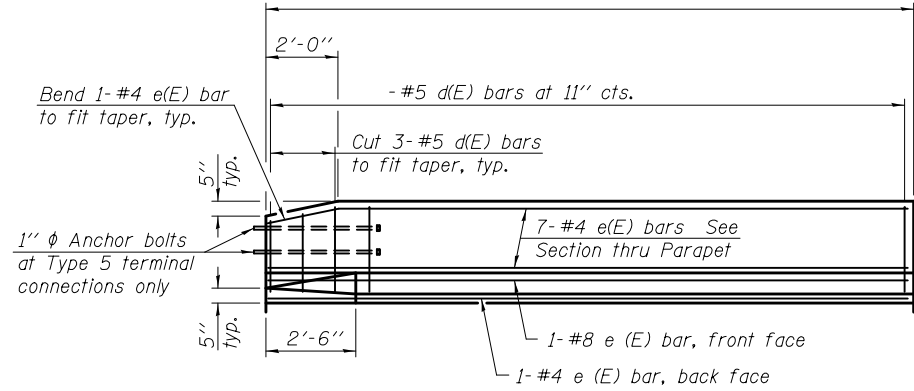
11-22-2016

FILE NAME =	USER NAME =	DESIGNED -	REVISED -
		CHECKED -	REVISED -
		DRAWN -	REVISED -
		CHECKED -	REVISED -

**STATE OF ILLINOIS
DEPARTMENT OF TRANSPORTATION**

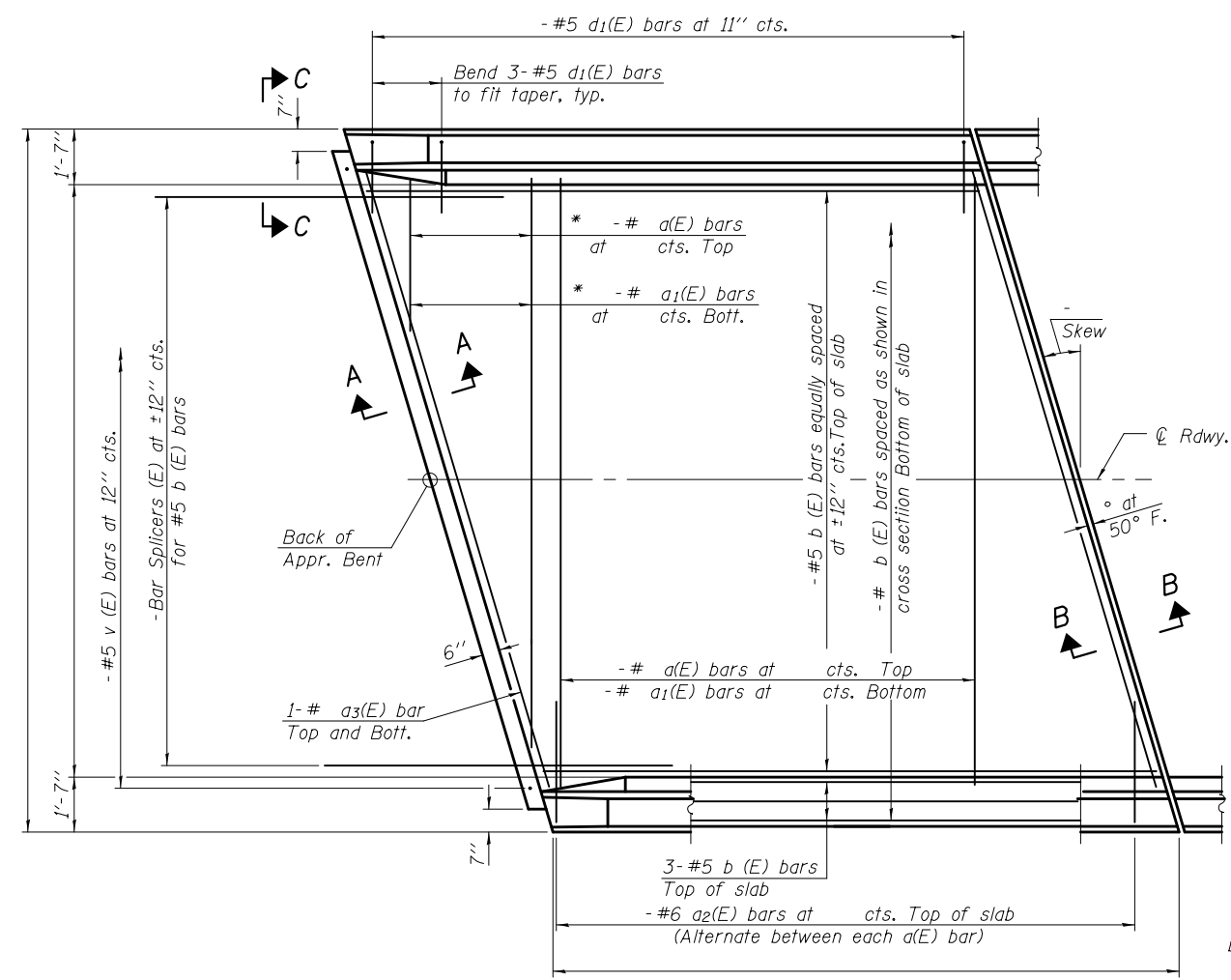
**VAULTED ABUTMENT APPROACH SPAN
STRUCTURE NO.**

F.A. RTE.	SECTION	COUNTY	TOTAL SHEETS	SHEET NO.
CONTRACT NO.				
ILLINOIS FED. AID PROJECT				



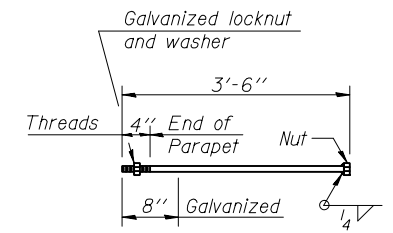
INSIDE ELEVATION OF PARAPET

* Order a(E) and a₁(E) bars full length. Cut to fit skew and use remainder of bars in opposite end.

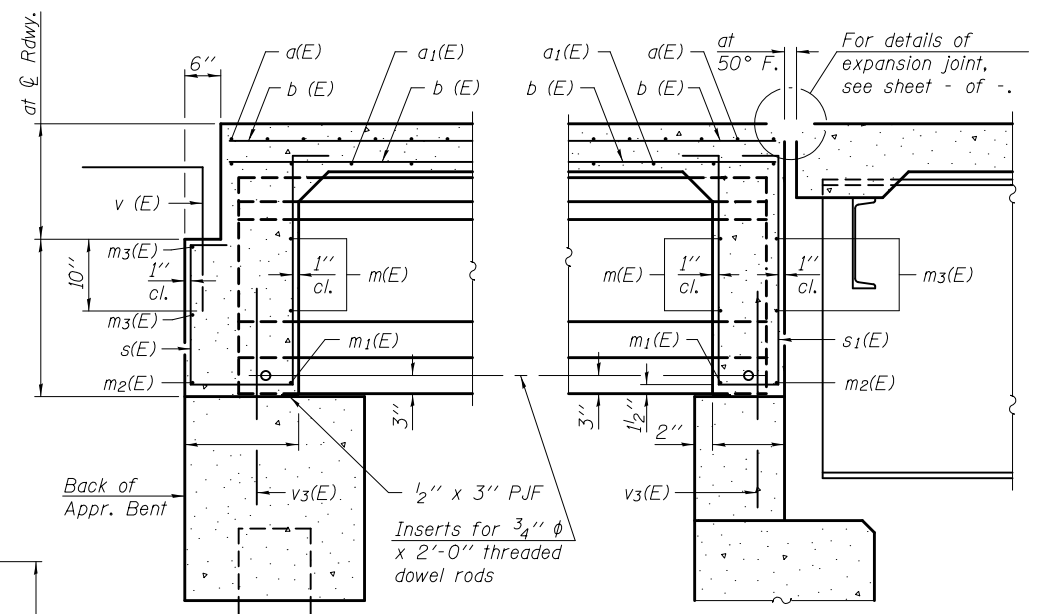


PLAN

Notes:
See sheets and of for v₃(E) thru v₆(E) bars.

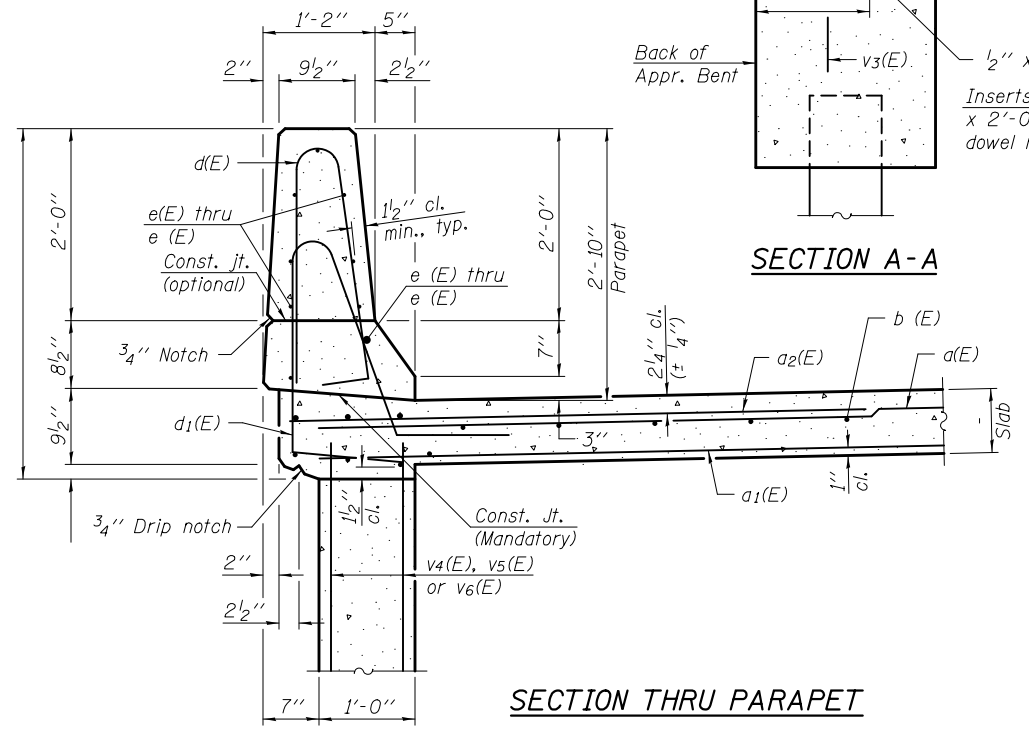


1" ϕ ANCHOR BOLT
(Cost Included with Concrete Superstructure.)

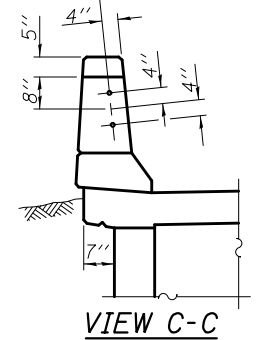


SECTION A-A

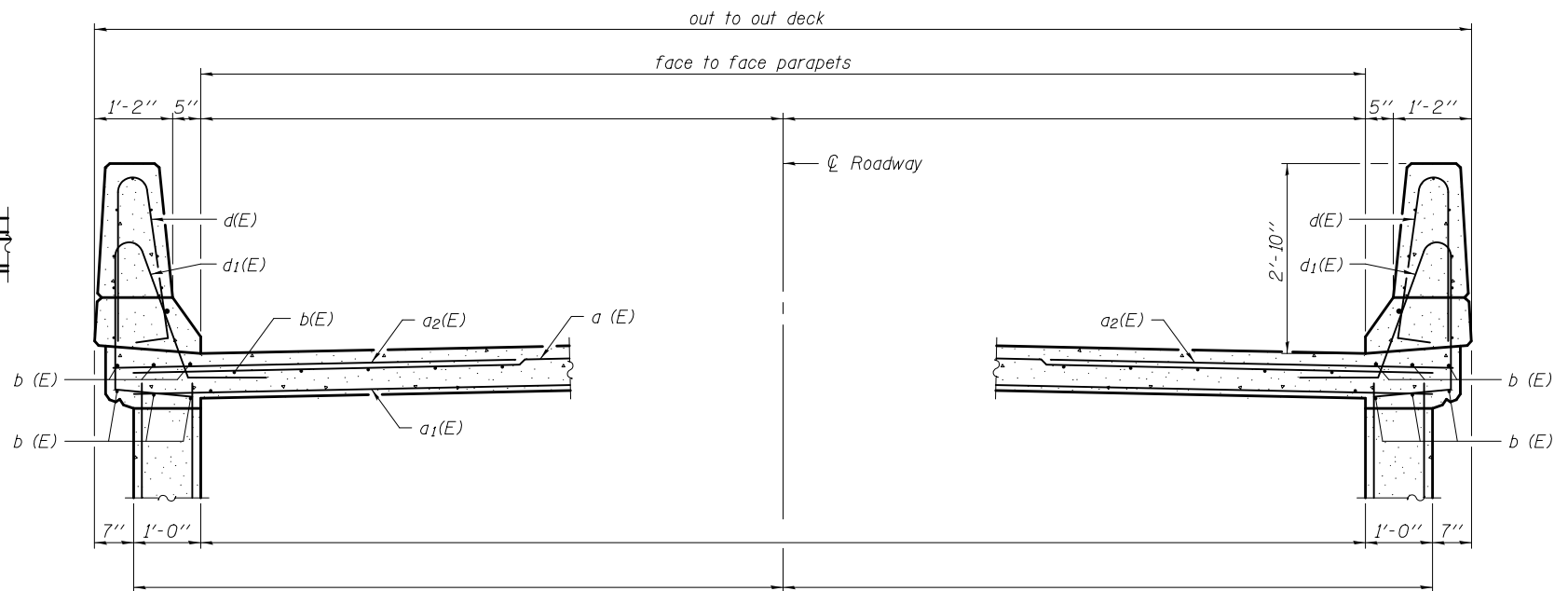
SECTION B-B



SECTION THRU PARAPET



VIEW C-C



CROSS SECTION

SA-1-R

11-22-2016

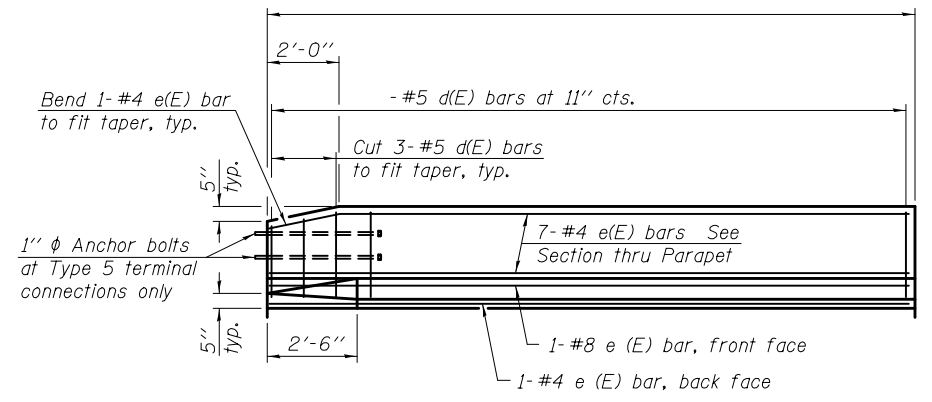
FILE NAME =	USER NAME =	DESIGNED -	REVISD -
		CHECKED -	REVISD -
		DRAWN -	REVISD -
		CHECKED -	REVISD -

**STATE OF ILLINOIS
DEPARTMENT OF TRANSPORTATION**

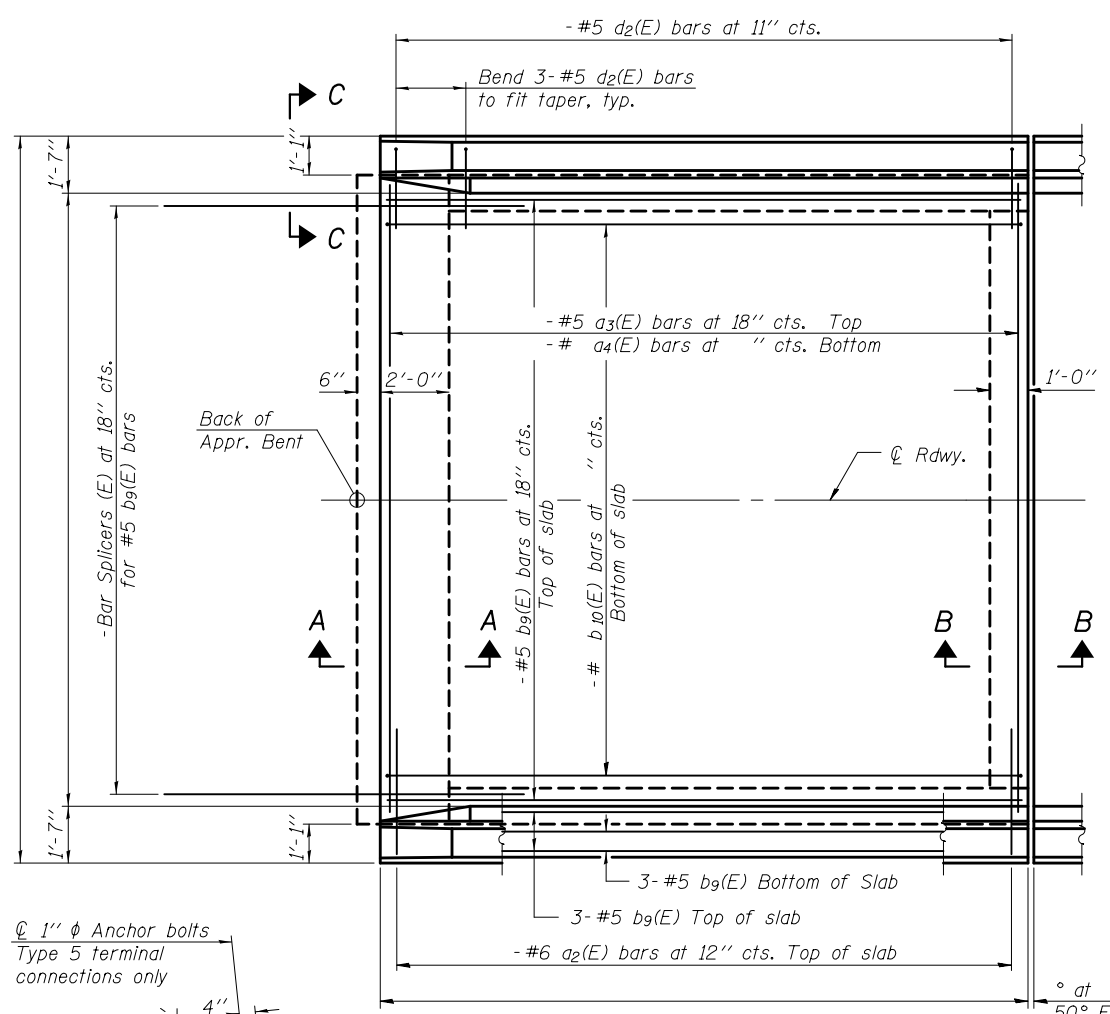
**VAULTED ABUTMENT APPROACH SPAN
STRUCTURE NO.**

F.A. RTE.	SECTION	COUNTY	TOTAL SHEETS	SHEET NO.
CONTRACT NO.				

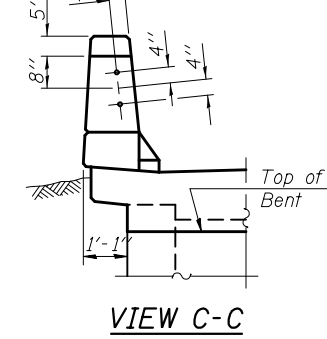
ILLINOIS FED. AID PROJECT



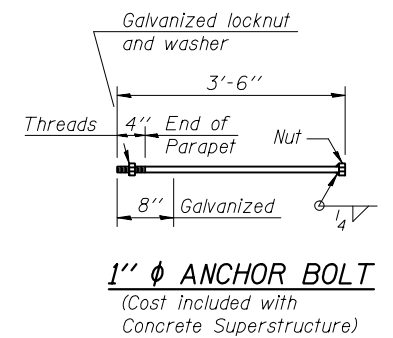
INSIDE ELEVATION OF PARAPET



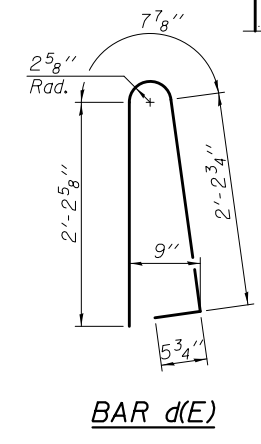
PLAN



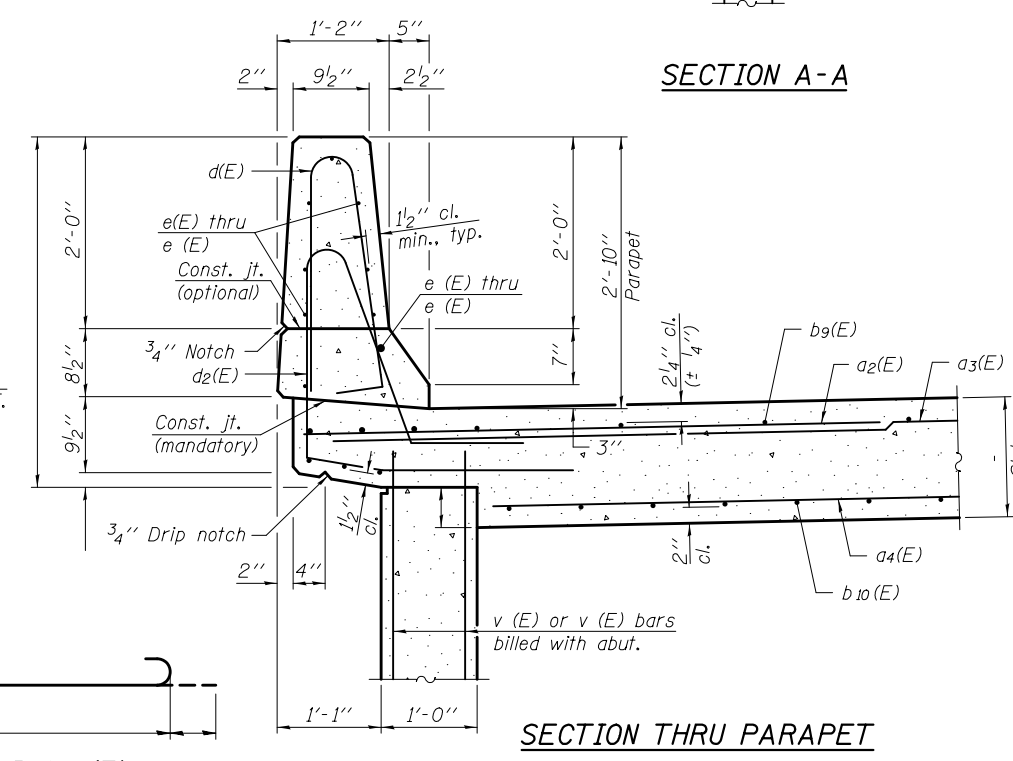
VIEW C-C



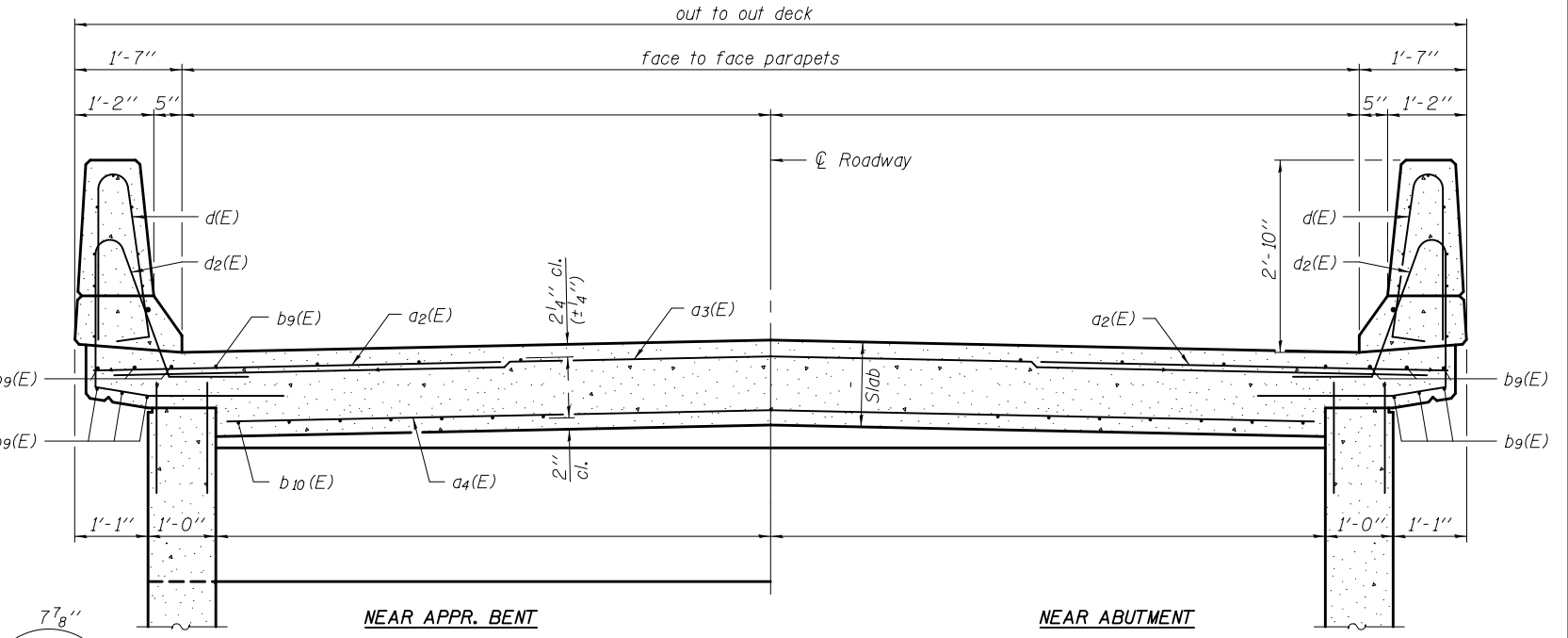
1" ANCHOR BOLT
(Cost included with Concrete Superstructure)



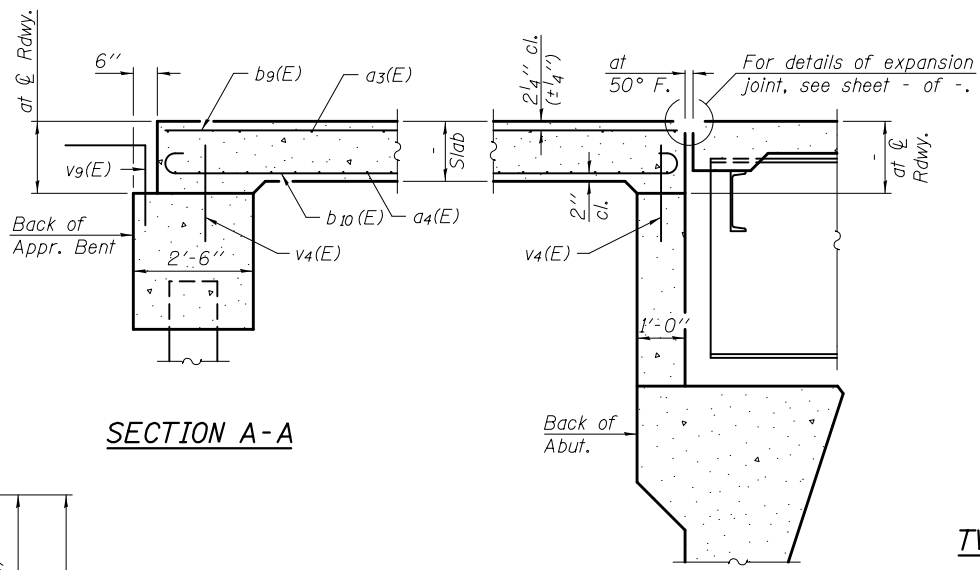
BAR d(E)



SECTION THRU PARAPET



CROSS SECTION



SECTION A-A

SECTION B-B

**TWO APPROACH SLABS
BILL OF MATERIAL**

Bar	No.	Size	Length	Shape
a2(E)		#6	6'-6"	—
a3(E)		#5		—
a4(E)				—
b9(E)		#5		—
b10(E)				—
d(E)		#5	5'-7"	—
d2(E)		#5		—
e(E)		#4		—
e(E)				—
e(E)				—
Reinforcement Bars, Epoxy Coated Concrete Superstructure				Pound
				Cu. Yd.

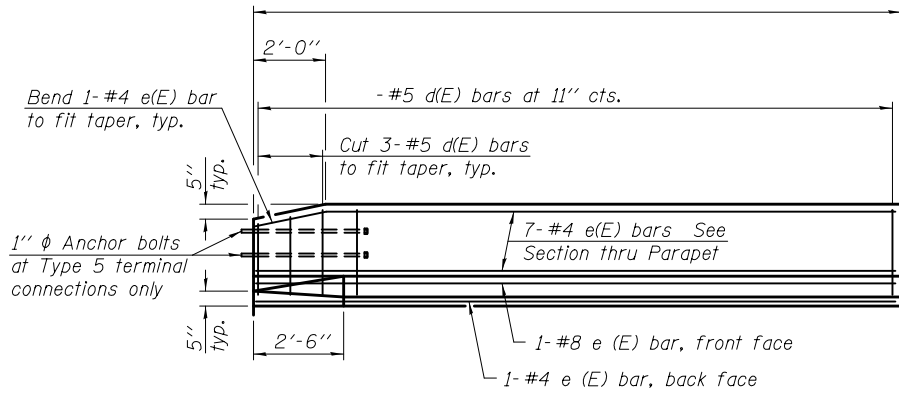
SA-2-0

11-22-2016

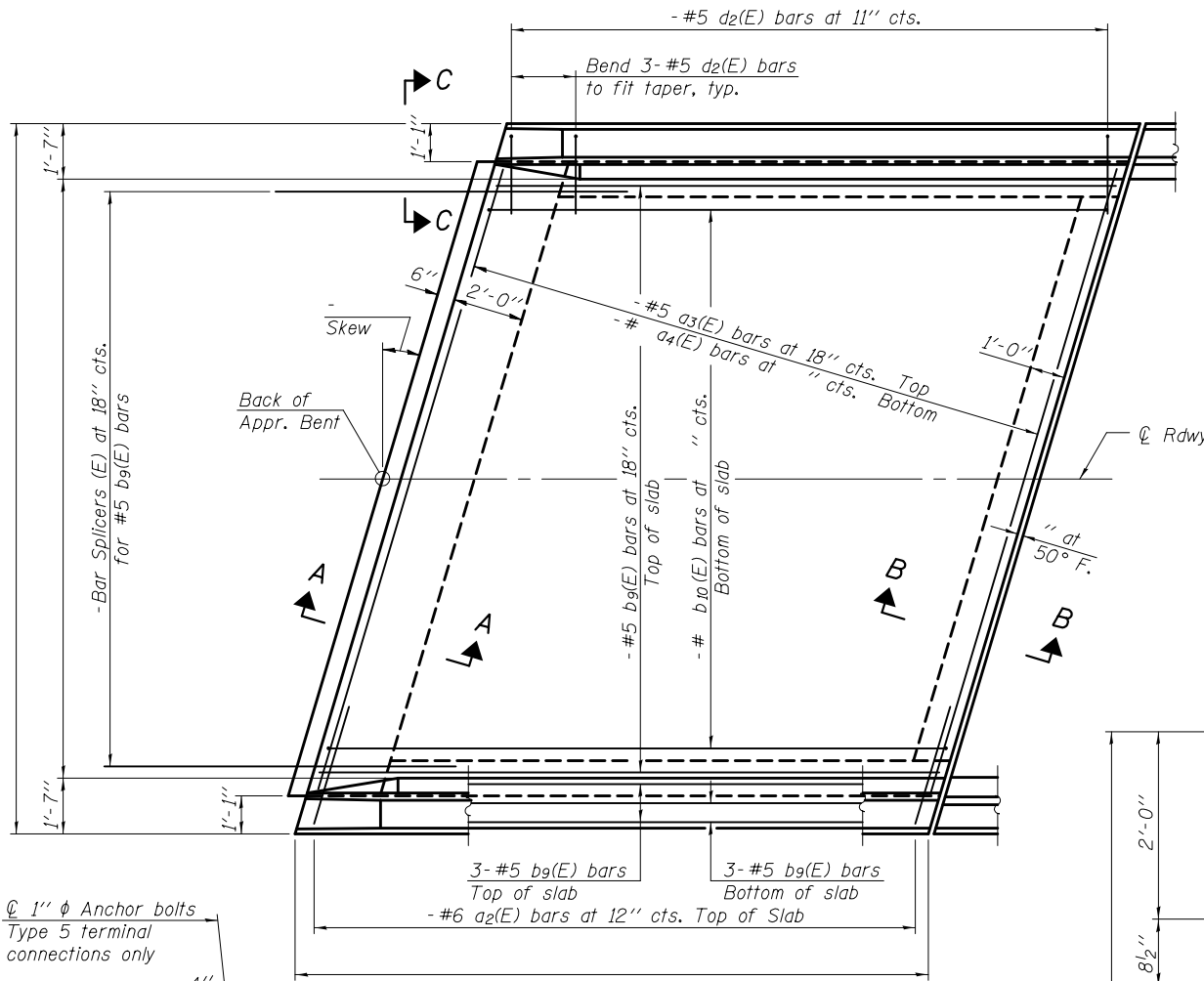
**STATE OF ILLINOIS
DEPARTMENT OF TRANSPORTATION**

**VAULTED ABUTMENT APPROACH SPAN
STRUCTURE NO.**

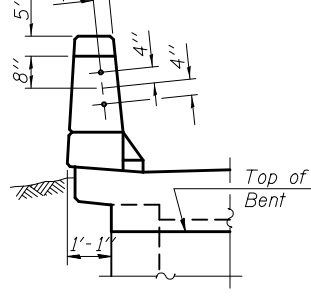
F.A. RTE.	SECTION	COUNTY	TOTAL SHEETS	SHEET NO.
CONTRACT NO.				
ILLINOIS FED. AID PROJECT				



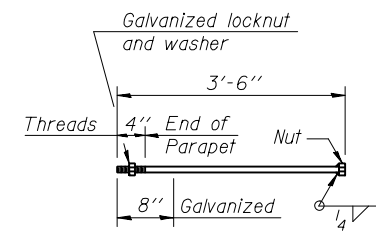
INSIDE ELEVATION OF PARAPET



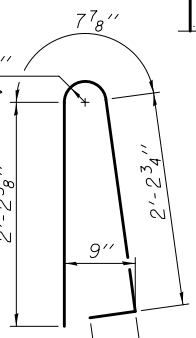
PLAN



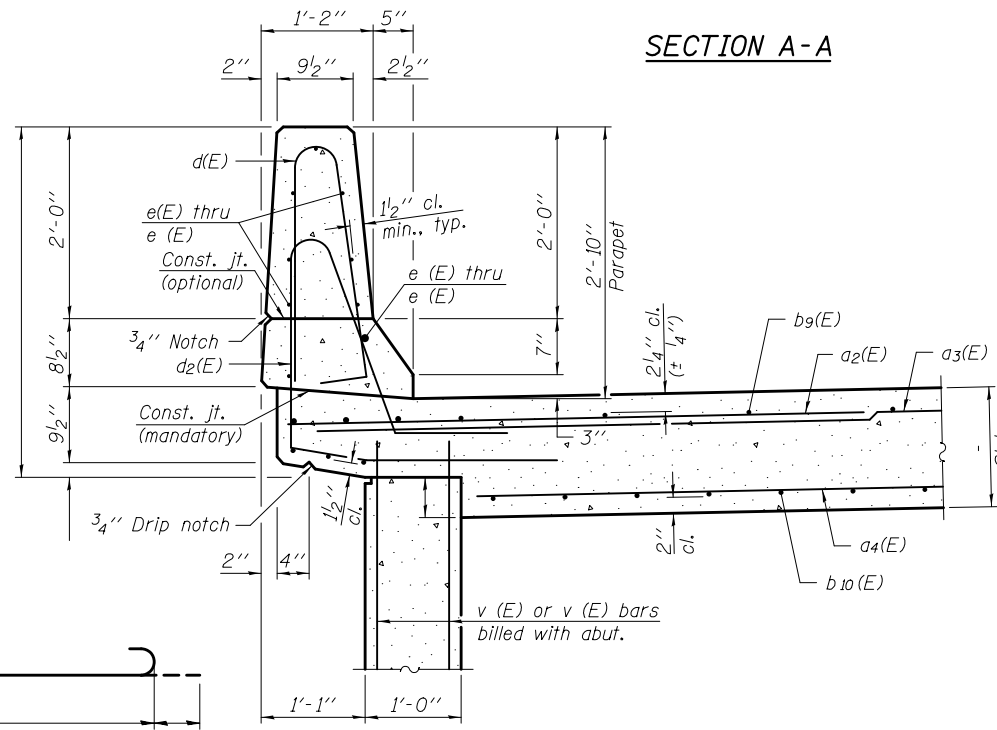
VIEW C-C



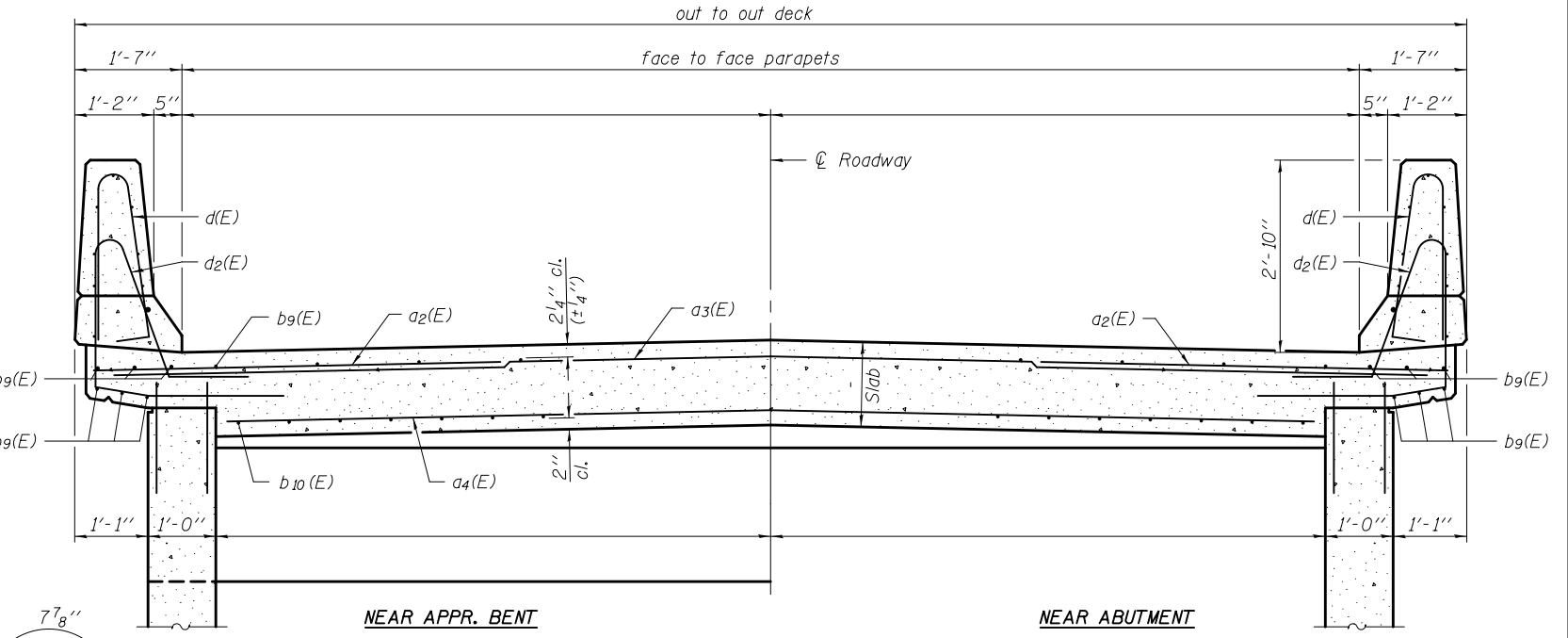
1" ANCHOR BOLT
(Cost included with Concrete Superstructure)



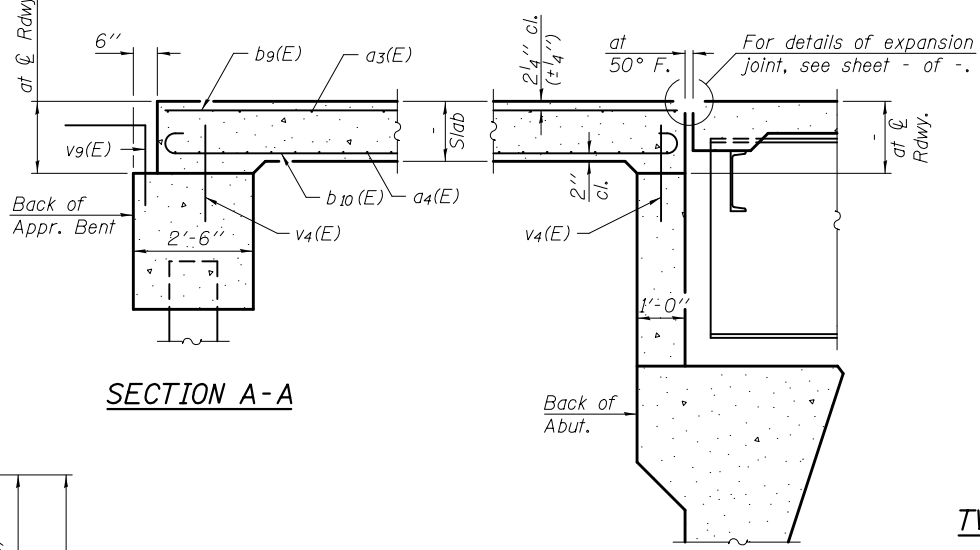
BAR d(E)



SECTION THRU PARAPET



CROSS SECTION



SECTION A-A

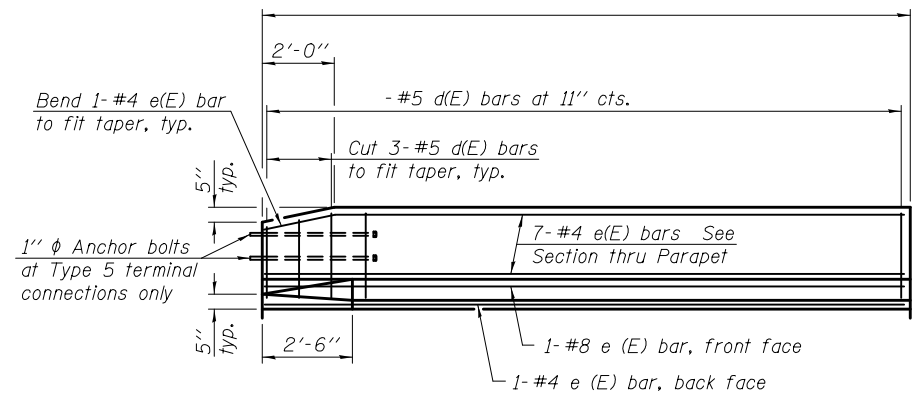
SECTION B-B

**TWO APPROACH SLABS
BILL OF MATERIAL**

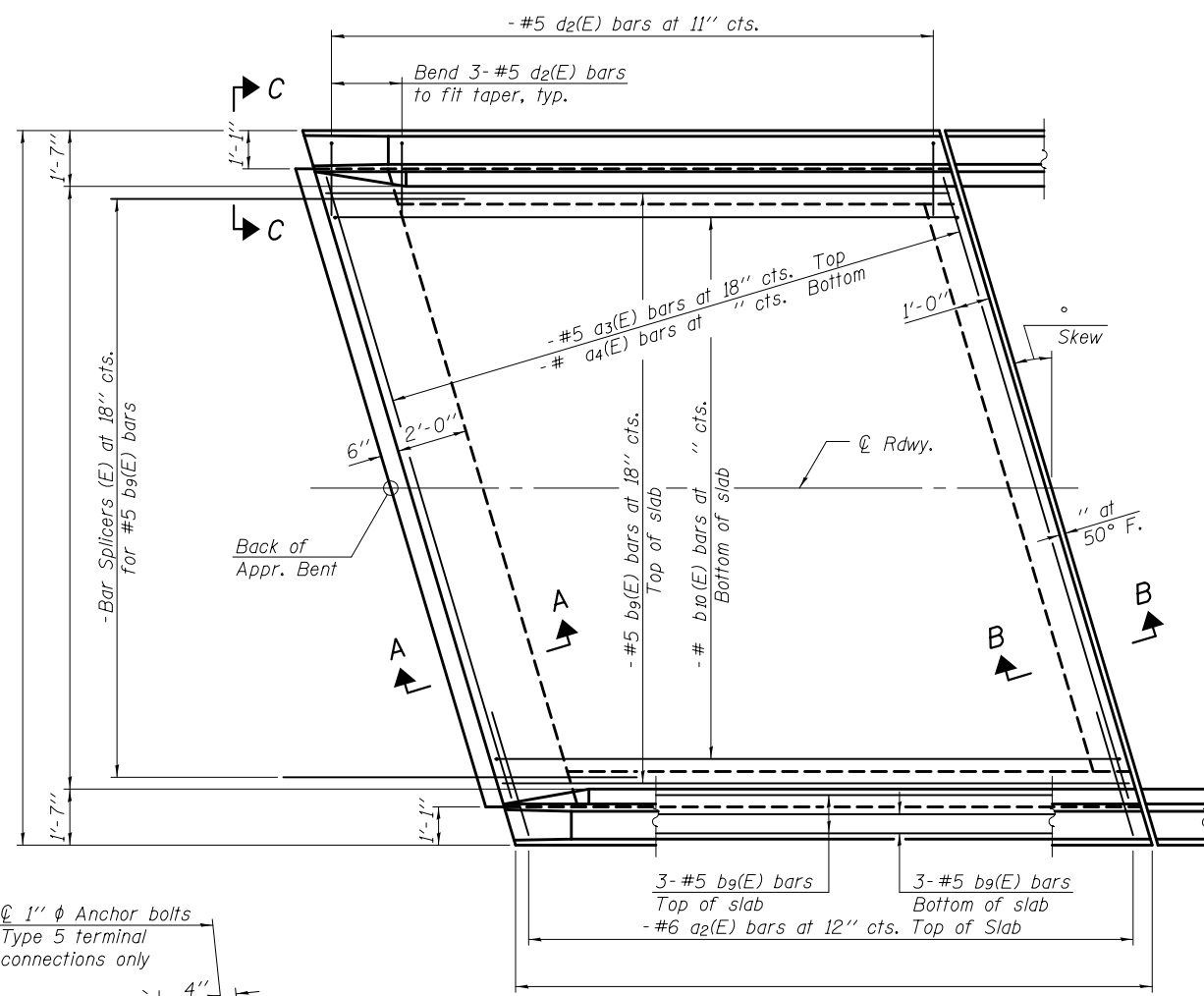
Bar	No.	Size	Length	Shape
a2(E)		#6	6'-6"	—
a3(E)		#5		—
a4(E)				—
b9(E)		#5		—
b10(E)				—
d(E)		#5	5'-7"	—
d2(E)		#5		—
e(E)		#4		—
e(E)				—
e(E)				—
Reinforcement Bars,		Epoxy Coated		Pound
Concrete		Superstructure		Cu. Yd.

SA-2-L

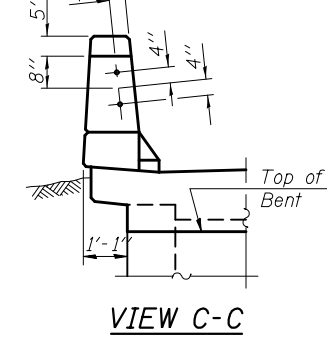
11-22-2016



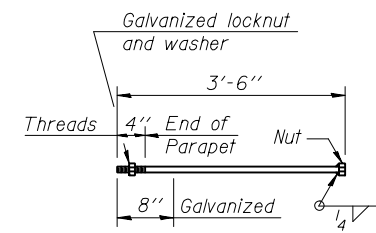
INSIDE ELEVATION OF PARAPET



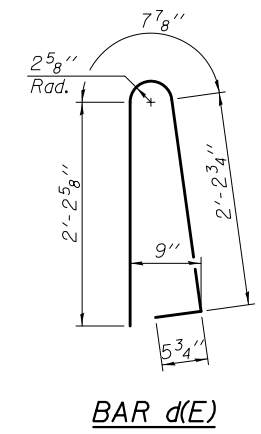
PLAN



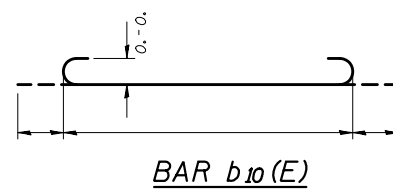
VIEW C-C



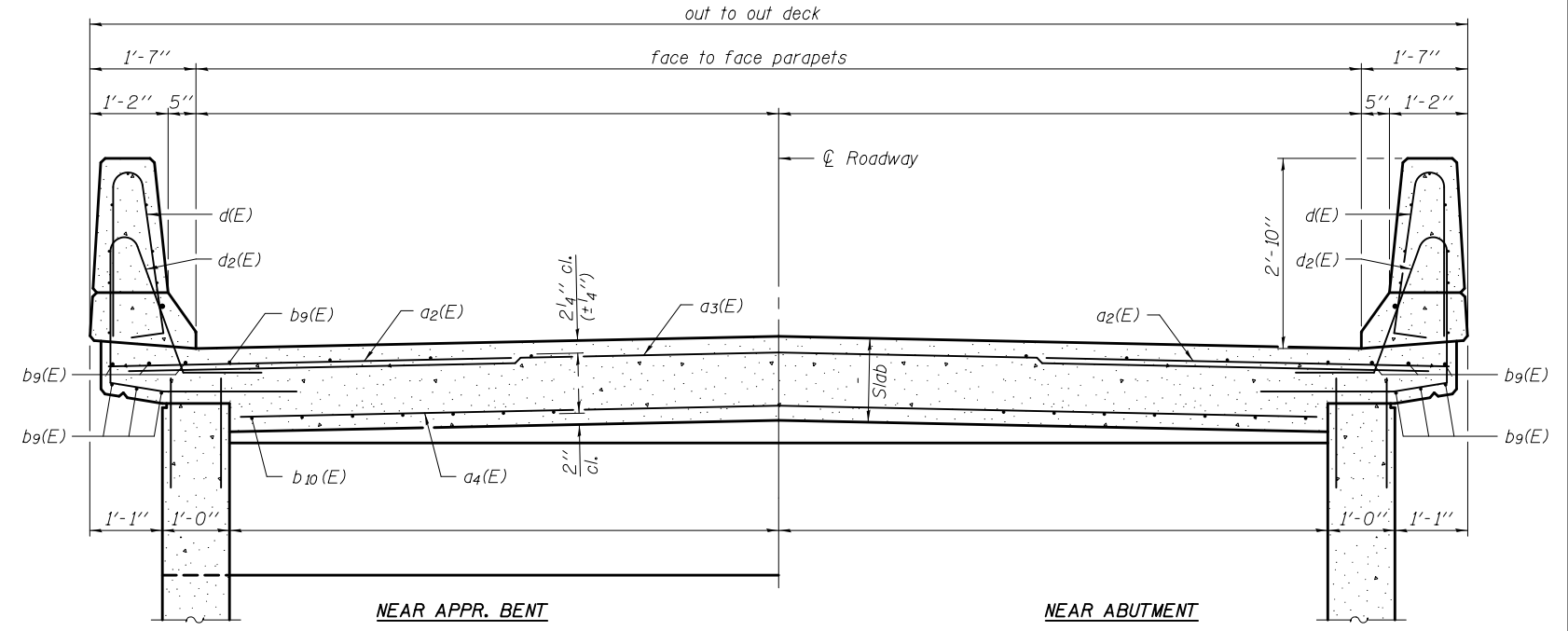
1" ANCHOR BOLT
(Cost included with Concrete Superstructure)



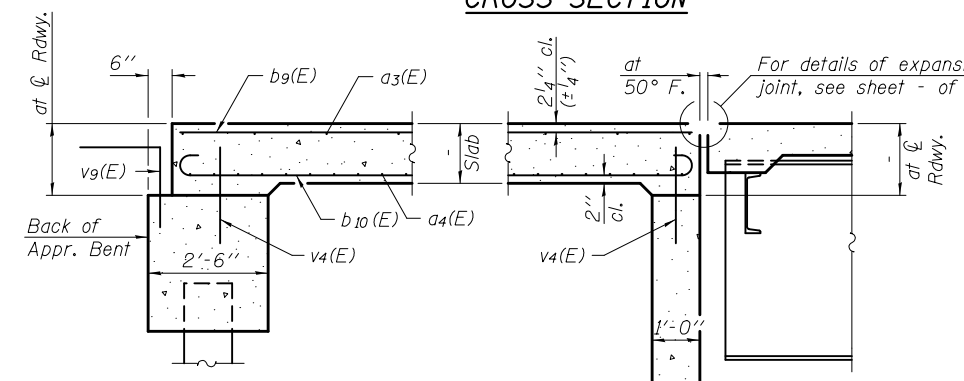
BAR d(E)



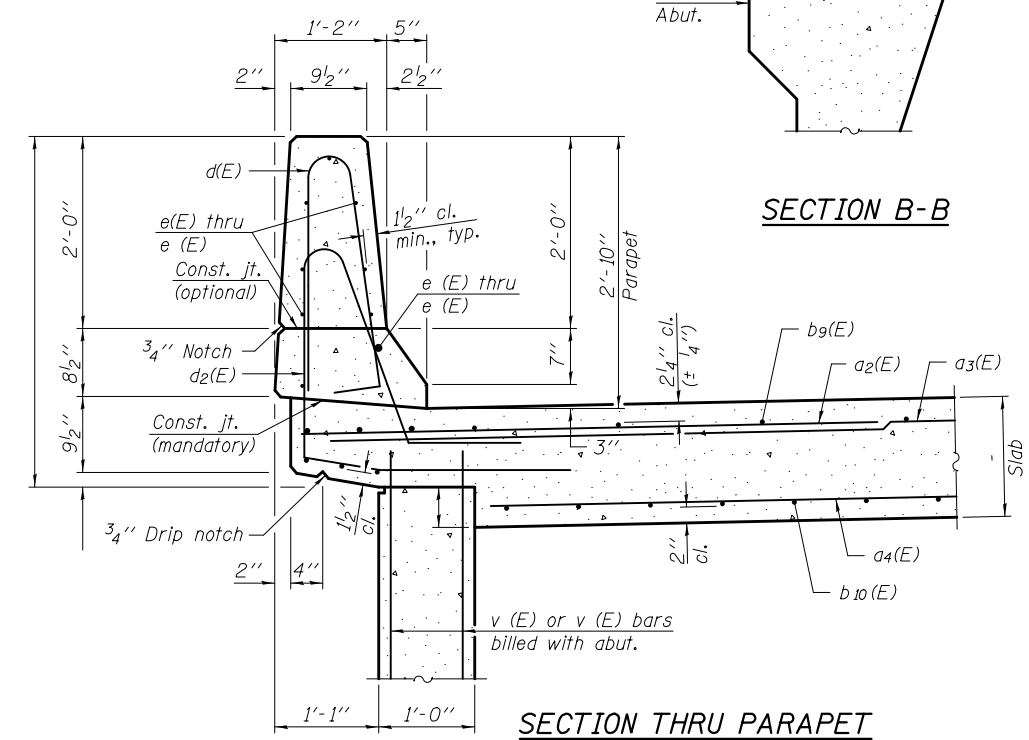
BAR b10(E)



CROSS SECTION

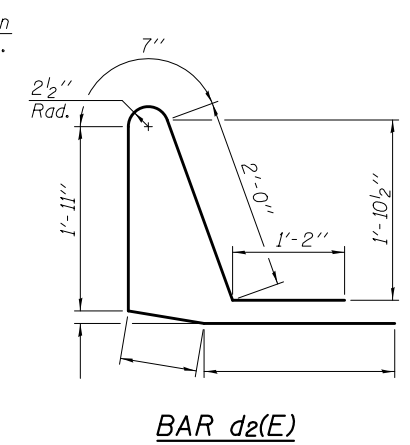


SECTION A-A



SECTION B-B

SECTION THRU PARAPET



BAR d2(E)

**TWO APPROACH SLABS
BILL OF MATERIAL**

Bar	No.	Size	Length	Shape
a2(E)		#6	6'-6"	—
a3(E)		#5		—
a4(E)				—
b9(E)		#5		—
b10(E)				—
d(E)		#5	5'-7"	—
d2(E)		#5		—
e(E)		#4		—
e(E)				—
e(E)				—
Reinforcement Bars,		Epoxy Coated		Pound
Concrete		Superstructure		Cu. Yd.

SA-2-R

11-22-2016

FILE NAME =	USER NAME =	DESIGNED -	REVISD -
		CHECKED -	REVISD -
		PLOT SCALE =	REVISD -
		PLOT DATE =	REVISD -

**STATE OF ILLINOIS
DEPARTMENT OF TRANSPORTATION**

**VAULTED ABUTMENT APPROACH SPAN
STRUCTURE NO.**

F.A. RTE.	SECTION	COUNTY	TOTAL SHEETS	SHEET NO.
CONTRACT NO.				
ILLINOIS FED. AID PROJECT				